



# BAWER

Evolution



PLASTIC  
TOOLBOX



PLASTIC  
FIRE EXTINGUISHER BOX



POWDER COATED  
TOOLBOX



MATT S/S - ALUMINIUM  
TOOLBOX



MATT STAINLESS STEEL  
TOOLBOX



POLISHED STAINLESS STEEL  
TOOLBOX



PATENT PENDING • LPD HOMOLOGATION • FAST MOUNTING SYSTEM





THE TOOLBOX RE**EVOLUTION**

FAST MOUNTING  
WEIGHT REDUCTION  
NEW DESIGN AND MATERIALS



## Plastic Toolbox



- pag. **06 - 07** Introduction
- pag. **12 - 13** Toolbox Line
- pag. **26 - 27** Technical Features and Shipment
- pag. **// - 29** Brackets Technical Features
- pag. **30 - 33** Fast Mounting Features and Shipment
- pag. **// - 55** Accessories and Customisations

## Fire Extinguisher Plastic Box



- pag. **06 - 07** Introduction
- pag. **14 - 15** Fire Extinguisher Box Line
- pag. **// - 35** Technical Features and Shipment
- pag. **// - 37** Brackets, Ring Holder and  
Fast Mounting Kit Technical Features
- pag. **// - 54** Accessories and Customisations

## Black, Powder Coated Toolbox



- pag. **08 - 11** Introduction
- pag. **16 - 17** Toolbox Line
- pag. **40 - 41** Technical Features and Shipment
- pag. **// - 49** Brackets Technical Features
- pag. **50 - 53** Fast Mounting Features and Shipment
- pag. **56 - 57** Accessories and Customisations

## Matt S/S and Aluminium Toolbox



- pag. **08 - 11** Introduction
- pag. **18 - 19** Toolbox Line
- pag. **42 - 43** Technical Features and Shipment
- pag. **// - 49** Brackets Technical Features
- pag. **50 - 53** Fast Mounting Features and Shipment
- pag. **56 - 57** Accessories and Customisations

## Matt S/S Toolbox



- pag. **08 - 11** Introduction
- pag. **20 - 21** Toolbox Line
- pag. **44 - 45** Technical Features and Shipment
- pag. **// - 49** Brackets Technical Features
- pag. **50 - 53** Fast Mounting Features and Shipment
- pag. **56 - 57** Accessories and Customisations

## Polished S/S Toolbox



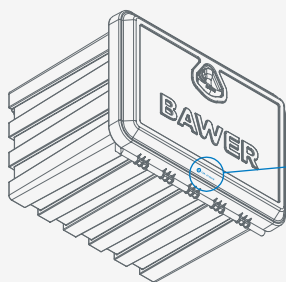
- pag. **08 - 11** Introduction
- pag. **22 - 23** Toolbox Line
- pag. **46 - 47** Technical Features and Shipment
- pag. **// - 49** Brackets Technical Features
- pag. **50 - 53** Fast Mounting Features and Shipment
- pag. **56 - 57** Accessories and Customisations

# BAWER Evolution

PLASTIC Line



LPD HOMOLOGATION



E8 73R - 0110378

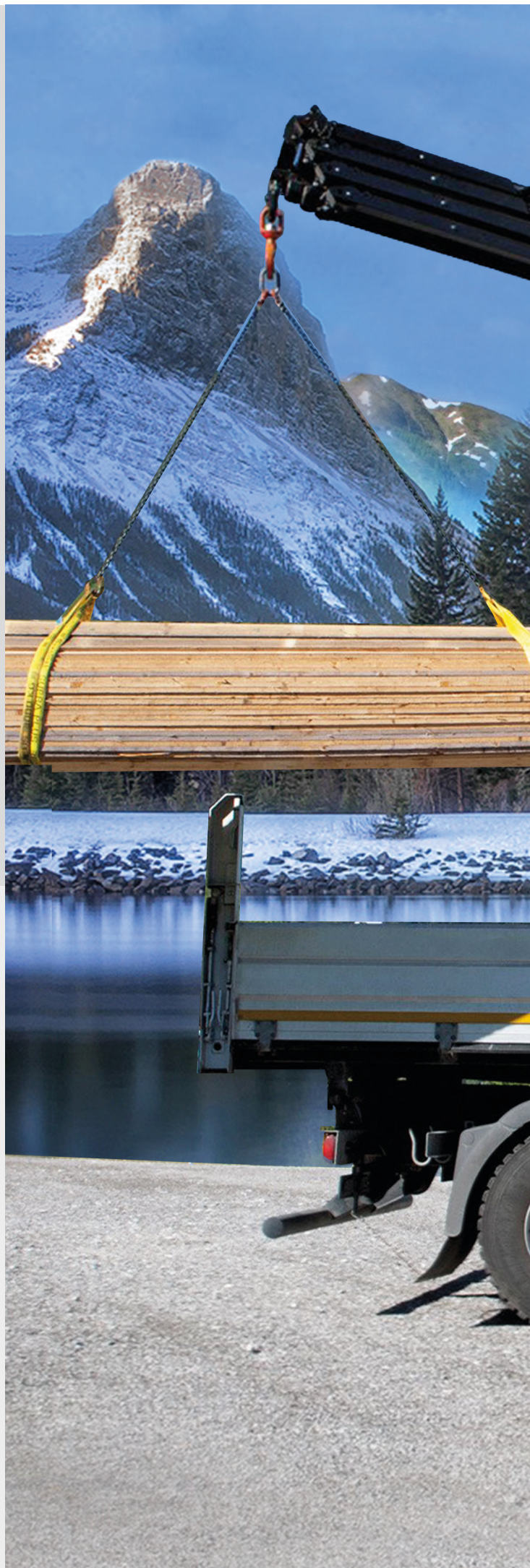
PATENT PENDING SYSTEM

STACKABILITY  
-37/40% VOLUME SAVING

FAST MOUNTING SYSTEM  
ASSEMBLY COST REDUCTION

INTEGRATED HANDLE

ACCESSORIES CONFIGURATIONS



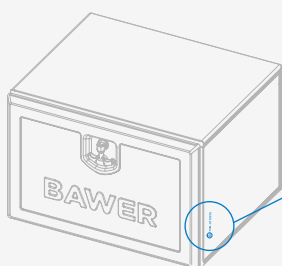


# BAWER Evolution

METAL Line



LPD HOMOLOGATION



E8 73R - 0110379

PATENT PENDING SYSTEM

WEIGHT REDUCTION

FAST MOUNTING SYSTEM

ASSEMBLY COST REDUCTION

INTEGRATED HANDLE

EMBOSSED LID

NON-WELDED LID CORNERS

INNOVATIVE WELDING







YouTube  
SCAN  
to watch



BLACK, POWDER COATED



MATT S/S AND ALUMINIUM



# LID CONFIGURATIONS



MATT STAINLESS STEEL



POLISHED STAINLESS STEEL





## Easy

### Accessories Included

- SEAL

### Additional Accessories

- STOP LID CHAIN

- .....
- STACKABLE SHIPMENT



cod. E0 140 00 L 500 x H 365 x D 300

cod. E0 150 00 L 500 x H 365 x D 400

cod. E0 200 00 L 600 x H 425 x D 460



cod. E0 250 00 L 800 x H 500 x D 460

cod. E0 300 00 L 1000 x H 500 x D 460

## Basic

### Accessories Included

- SEAL

### Additional Accessories

- STOP LID CHAIN

- .....
- SHIPMENT WITH CARDBOARD



cod. E0 140 L 500 x H 365 x D 300

cod. E0 150 L 500 x H 365 x D 400

cod. E0 200 L 600 x H 425 x D 460



cod. E0 250 L 800 x H 500 x D 460

cod. E0 300 L 1000 x H 500 x D 460

## Plus

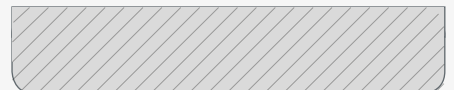
### Accessories Included

- SEAL
- PULL-OUT DRAWER

### Additional Accessories

- STOP LID CHAIN

- .....
- SHIPMENT WITH CARDBOARD



cod. E0 151 L 500 x H 365 x D 400

cod. E0 201 L 600 x H 425 x D 460

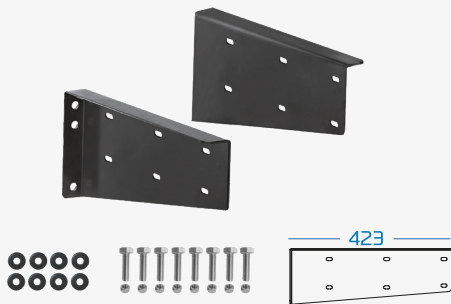
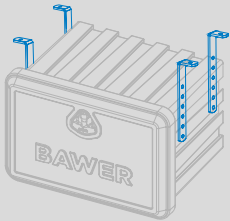
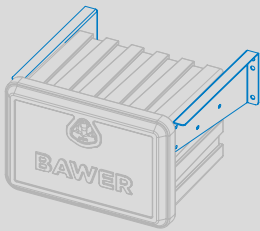


cod. E0 251 L 800 x H 500 x D 460

cod. E0 301 L 1000 x H 500 x D 460

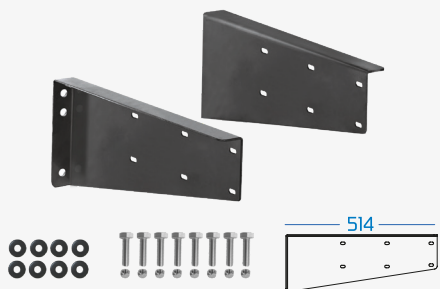
## Brackets

for: Easy, Basic & Plus



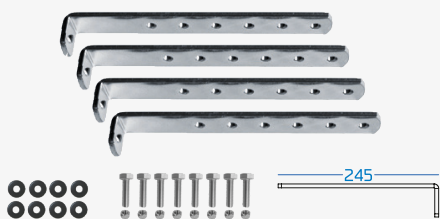
Black Powder Coated Steel Brackets

cod. E0 990 02 Short Horizontal Brackets



Black Powder Coated Steel Brackets

cod. E0 990 04 Long Horizontal Brackets



Galvanized Steel Brackets

cod. E0 990 06 Vertical Brackets

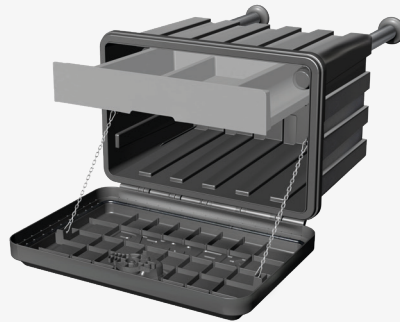
## Premium

Accessories Included

- SEAL
  - PULL-OUT DRAWER
  - STOP LID CHAIN
  - SYSTEM PREDISPOSED FOR FAST MOUNTING\*
- \*FAST MOUNTING TUBE NOT INCLUDED

Additional Accessories

- SHIPMENT WITH CARDBOARD

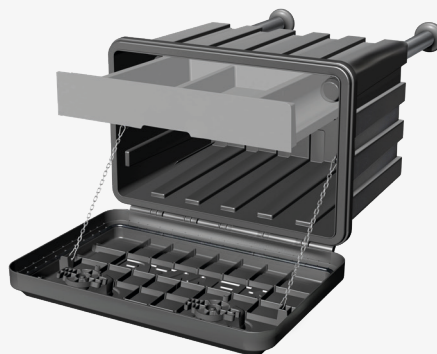


cod. E0 142\* L 500 x H 365 x D 300

\*PULL-OUT DRAWER NOT AVAILABLE

cod. E0 152 L 500 x H 365 x D 400

cod. E0 202 L 600 x H 425 x D 460

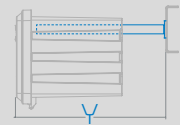
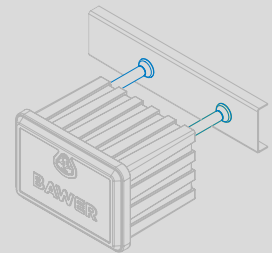


cod. E0 252 L 800 x H 500 x D 460

cod. E0 302 L 1000 x H 500 x D 460

## Fast Mounting

for: Premium



- SHIPMENT WITH CARDBOARD



for toolbox: E0 142

cod. E0 950 02 Short Tube Y: 424 mm.

cod. E0 950 04 Medium Tube Y: 534 mm.

cod. E0 950 06 Long Tube Y: 644 mm.

for toolbox: E0 152

cod. E0 950 12 Short Tube Y: 424 mm.

cod. E0 950 14 Medium Tube Y: 534 mm.

cod. E0 950 16 Long Tube Y: 644 mm.

for toolboxes: E0 202 - E0 252 - E0 302

cod. E0 960 02 Short Tube Y: 582 mm.

cod. E0 960 04 Medium Tube Y: 702 mm.

cod. E0 960 06 Long Tube Y: 822 mm.

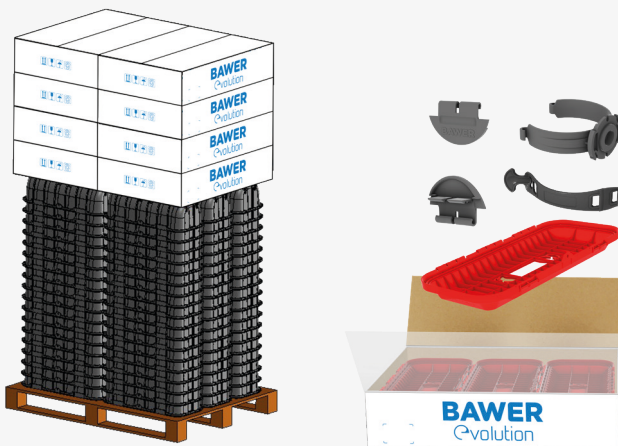


## Easy

### Accessories Included

- LID WITH INSPECTION WINDOW
- EXTINGUISHER RING-HOLDER WITH RUBBER CLAMP

- .....
- STACKABLE SHIPMENT



cod. E0 80 2 00 L 280 x H 620 x D 215

## Basic

### Accessories Included

- LID WITH INSPECTION WINDOW
- EXTINGUISHER RING-HOLDER WITH RUBBER CLAMP

- .....
- SHIPMENT WITH CARDBOARD



cod. E0 80 2 L 280 x H 620 x D 215



## Easy Plus

### Accessories Included

- LID WITH INSPECTION WINDOW
- SYSTEM PREDISPOSED FOR FAST MOUNTING
- FAST MOUNTING KIT:
  - EXTINGUISHER FAST MOUNTING RING-HOLDER WITH RUBBER CLAMP
  - FAST MOUNTING BRACKETS

- .....
- STACKABLE SHIPMENT



cod. E0 80 4 00 L 280 x H 620 x D 215

## Premium

### Accessories Included

- LID WITH INSPECTION WINDOW
- SYSTEM PREDISPOSED FOR FAST MOUNTING
- FAST MOUNTING KIT:
  - EXTINGUISHER FAST MOUNTING RING-HOLDER WITH RUBBER CLAMP
  - FAST MOUNTING BRACKETS

- .....
- SHIPMENT WITH CARDBOARD



cod. E0 80 4 L 280 x H 620 x D 215

## Basic

### Accessories Included

### Additional Accessories

- GAS SPRINGS
- AERATOR
- INTERNAL MAT

- SHIPMENT WITH CARDBOARD



cod. E2 150 L 500 x H 350 x D 400

cod. E2 200 L 600 x H 400 x D 500



cod. E2 250\* L 800 x H 500 x D 500

\*MOUNT ONLY LONG HORIZONTAL BRACKETS E0 990 04

cod. E2 300\* L 1000 x H 500 x D 500

## Plus

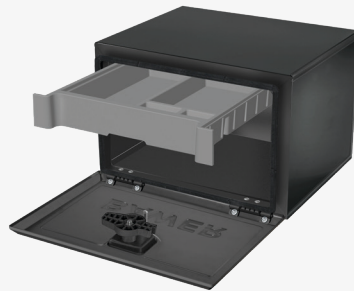
### Accessories Included

- PULL-OUT DRAWER

### Additional Accessories

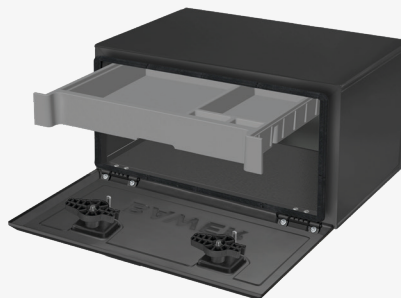
- GAS SPRINGS
- AERATOR
- INTERNAL MAT

- SHIPMENT WITH CARDBOARD



cod. E2 151 L 500 x H 350 x D 400

cod. E2 201 L 600 x H 400 x D 500



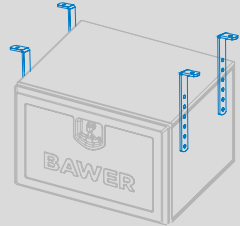
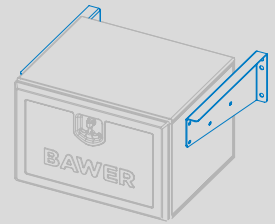
cod. E2 251\* L 800 x H 500 x D 500

\*MOUNT ONLY LONG HORIZONTAL BRACKETS E0 990 04

cod. E2 301\* L 1000 x H 500 x D 500

## Brackets

### for: Basic & Plus



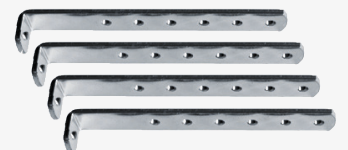
Black Powder Coated Steel Brackets

cod. E0 990 02 Short Horizontal Brackets



Black Powder Coated Steel Brackets

cod. E0 990 04 Long Horizontal Brackets



Galvanized Steel Brackets

cod. E0 990 06 Vertical Brackets



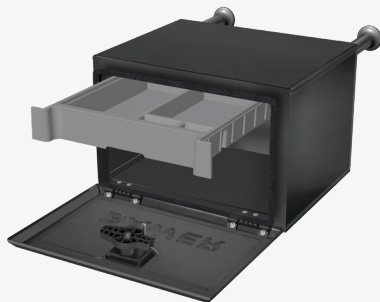
## Smart

### Accessories Included

- PULL-OUT DRAWER
- SYSTEM PREDISPOSED FOR FAST MOUNTING\*
- \*FAST MOUNTING TUBE NOT INCLUDED

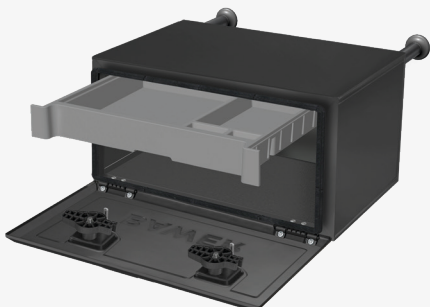
### Additional Accessories

- GAS SPRINGS
  - AERATOR
  - INTERNAL MAT
- 
- SHIPMENT WITH CARDBOARD



cod. E2 152 L 500 x H 350 x D 400

cod. E2 202 L 600 x H 400 x D 500



cod. E2 252 L 800 x H 500 x D 500

cod. E2 302 L 1000 x H 500 x D 500

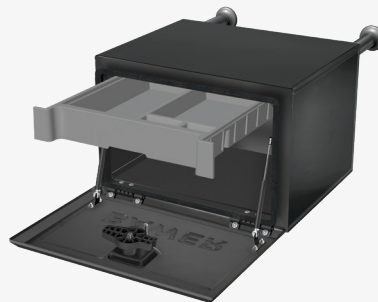
## Premium

### Accessories Included

- PULL-OUT DRAWER
- GAS SPRINGS
- SYSTEM PREDISPOSED FOR FAST MOUNTING\*
- \*FAST MOUNTING TUBE NOT INCLUDED

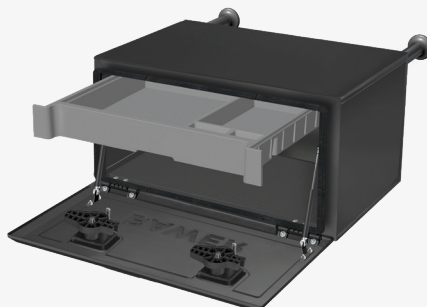
### Additional Accessories

- AERATOR
  - INTERNAL MAT
- 
- SHIPMENT WITH CARDBOARD



cod. E2 153 L 500 x H 350 x D 400

cod. E2 203 L 600 x H 400 x D 500

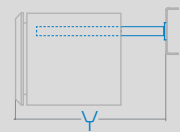
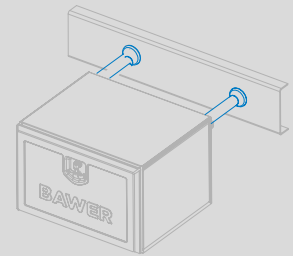


cod. E2 253 L 800 x H 500 x D 500

cod. E2 303 L 1000 x H 500 x D 500

## Fast Mounting

### for: Smart & Premium



- 
- SHIPMENT WITH CARDBOARD



for toolboxes: E2 152 - E2 153

cod. E2 950 02 Short Tube Y: 424 mm.

cod. E2 950 04 Medium Tube Y: 534 mm.

cod. E2 950 06 Long Tube Y: 644 mm.

for toolboxes: E2 202 - E2 203  
E2 252 - E2 253 - E2 302 - E2 303

cod. E2 960 02 Short Tube Y: 582 mm.

cod. E2 960 04 Medium Tube Y: 702 mm.

cod. E2 960 06 Long Tube Y: 822 mm.



## Basic

### Accessories Included

### Additional Accessories

- GAS SPRINGS
- AERATOR
- INTERNAL MAT

SHIPMENT WITH CARDBOARD



cod. E4 150 L 500 x H 350 x D 400

cod. E4 200 L 600 x H 400 x D 500



cod. E4 250\* L 800 x H 500 x D 500

\*MOUNT ONLY LONG HORIZONTAL BRACKETS E0 990 04

cod. E4 300\* L 1000 x H 500 x D 500

## Plus

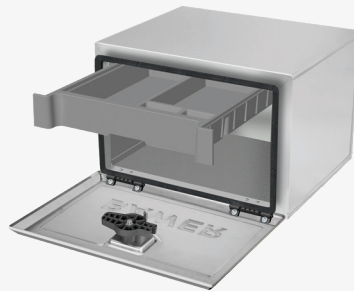
### Accessories Included

PULL-OUT DRAWER

### Additional Accessories

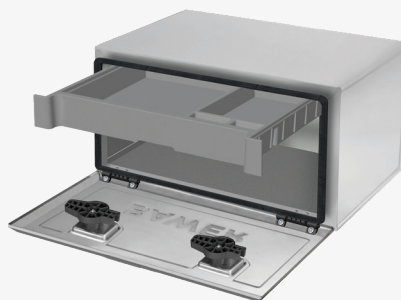
- GAS SPRINGS
- AERATOR
- INTERNAL MAT

SHIPMENT WITH CARDBOARD



cod. E4 151 L 500 x H 350 x D 400

cod. E4 201 L 600 x H 400 x D 500



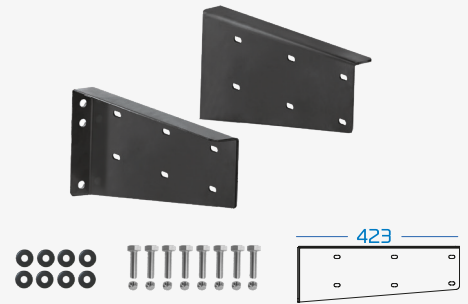
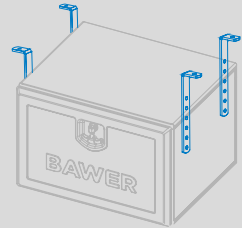
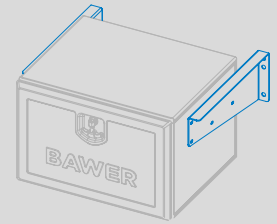
cod. E4 251\* L 800 x H 500 x D 500

\*MOUNT ONLY LONG HORIZONTAL BRACKETS E0 990 04

cod. E4 301\* L 1000 x H 500 x D 500

## Brackets

### for: Basic & Plus



Black Powder Coated Steel Brackets

cod. E0 990 02 Short Horizontal Brackets



Black Powder Coated Steel Brackets

cod. E0 990 04 Long Horizontal Brackets



Galvanized Steel Brackets

cod. E0 990 06 Vertical Brackets



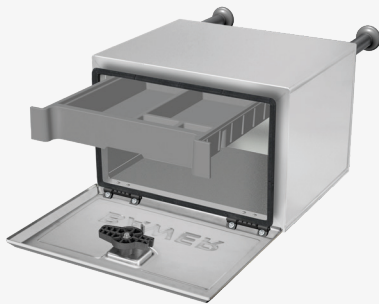
## Smart

### Accessories Included

- PULL-OUT DRAWER
- SYSTEM PREDISPOSED FOR FAST MOUNTING\*
- \*FAST MOUNTING TUBE NOT INCLUDED

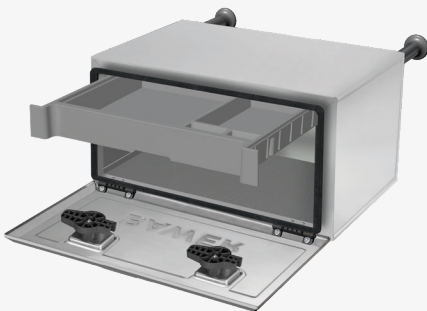
### Additional Accessories

- GAS SPRINGS
  - AERATOR
  - INTERNAL MAT
- 
- SHIPMENT WITH CARDBOARD



cod. E4 152 L 500 x H 350 x D 400

cod. E4 202 L 600 x H 400 x D 500



cod. E4 252 L 800 x H 500 x D 500

cod. E4 302 L 1000 x H 500 x D 500

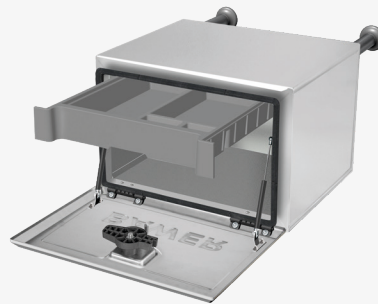
## Premium

### Accessories Included

- PULL-OUT DRAWER
- GAS SPRINGS
- SYSTEM PREDISPOSED FOR FAST MOUNTING\*
- \*FAST MOUNTING TUBE NOT INCLUDED

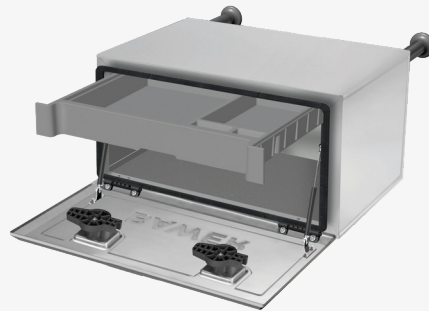
### Additional Accessories

- AERATOR
  - INTERNAL MAT
- 
- SHIPMENT WITH CARDBOARD



cod. E4 153 L 500 x H 350 x D 400

cod. E4 203 L 600 x H 400 x D 500

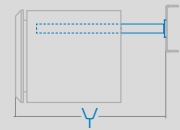
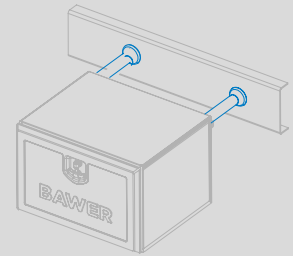


cod. E4 253 L 800 x H 500 x D 500

cod. E4 303 L 1000 x H 500 x D 500

## Fast Mounting

### for: Smart & Premium



- SHIPMENT WITH CARDBOARD



for toolboxes: E4 152 - E4 153

cod. E2 950 02 Short Tube Y: 424 mm.

cod. E2 950 04 Medium Tube Y: 534 mm.

cod. E2 950 06 Long Tube Y: 644 mm.

for toolboxes: E4 202 - E4 203  
E4 252 - E4 253 - E4 302 - E4 303

cod. E2 960 02 Short Tube Y: 582 mm.

cod. E2 960 04 Medium Tube Y: 702 mm.

cod. E2 960 06 Long Tube Y: 822 mm.

## Basic

### Accessories Included

### Additional Accessories

- GAS SPRINGS
- AERATOR
- INTERNAL MAT

- SHIPMENT WITH CARDBOARD



cod. E6 150 L 500 x H 350 x D 400

cod. E6 200 L 600 x H 400 x D 500



cod. E6 250\* L 800 x H 500 x D 500

\*MOUNT ONLY: LONG HORIZONTAL BRACKETS E0 990 04  
LONG HORIZONTAL BRACKETS E6 990 04

cod. E6 300\* L 1000 x H 500 x D 500

## Plus

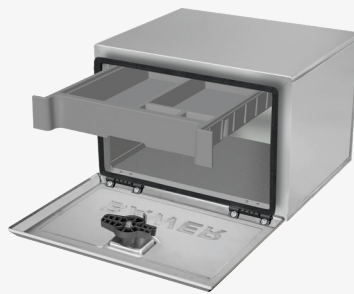
### Accessories Included

- PULL-OUT DRAWER

### Additional Accessories

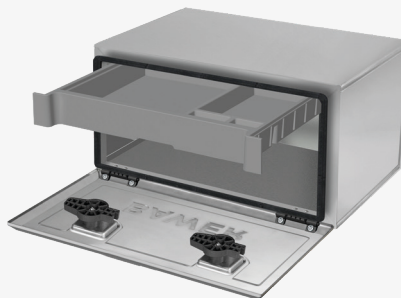
- GAS SPRINGS
- AERATOR
- INTERNAL MAT

- SHIPMENT WITH CARDBOARD



cod. E6 151 L 500 x H 350 x D 400

cod. E6 201 L 600 x H 400 x D 500



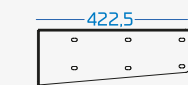
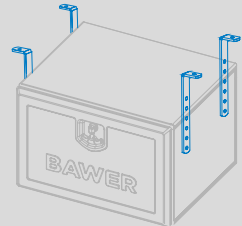
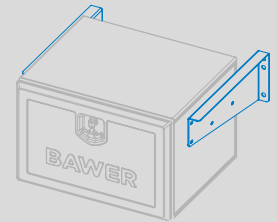
cod. E6 251\* L 800 x H 500 x D 500

\*MOUNT ONLY: LONG HORIZONTAL BRACKETS E0 990 04  
LONG HORIZONTAL BRACKETS E6 990 04

cod. E6 301\* L 1000 x H 500 x D 500

## Brackets

### for: Basic & Plus



Stainless Steel  
Short Horizontal Brackets

cod. E6 990 02

Stainless Steel  
Long Horizontal Brackets

cod. E6 990 04

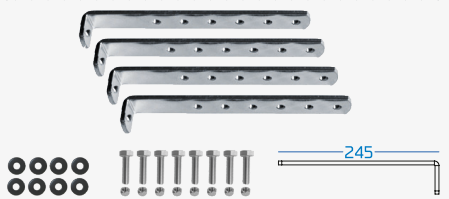


Black Powder Coated Steel  
Short Horizontal Brackets

cod. E0 990 02

Black Powder Coated Steel  
Long Horizontal Brackets

cod. E0 990 04



Galvanized Steel Brackets

cod. E0 990 06

Vertical Brackets

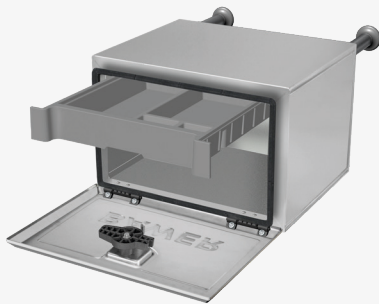
## Smart

### Accessories Included

- PULL-OUT DRAWER
- SYSTEM PREDISPOSED FOR FAST MOUNTING\*
- \*FAST MOUNTING TUBE NOT INCLUDED

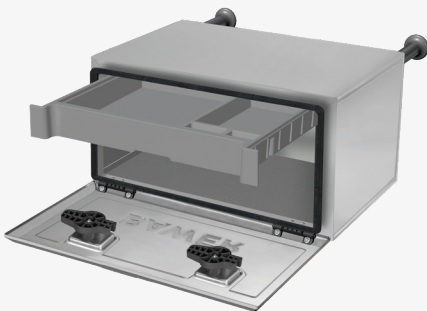
### Additional Accessories

- GAS SPRINGS
  - AERATOR
  - INTERNAL MAT
- 
- SHIPMENT WITH CARDBOARD



cod. E6 152 L 500 x H 350 x D 400

cod. E6 202 L 600 x H 400 x D 500



cod. E6 252 L 800 x H 500 x D 500

cod. E6 302 L 1000 x H 500 x D 500

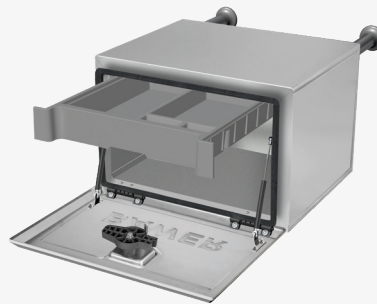
## Premium

### Accessories Included

- PULL-OUT DRAWER
- GAS SPRINGS
- SYSTEM PREDISPOSED FOR FAST MOUNTING\*
- \*FAST MOUNTING TUBE NOT INCLUDED

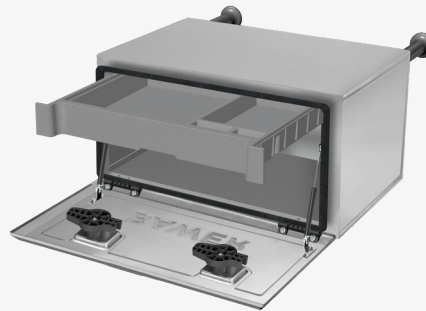
### Additional Accessories

- AERATOR
  - INTERNAL MAT
- 
- SHIPMENT WITH CARDBOARD



cod. E6 153 L 500 x H 350 x D 400

cod. E6 203 L 600 x H 400 x D 500

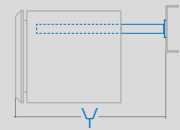
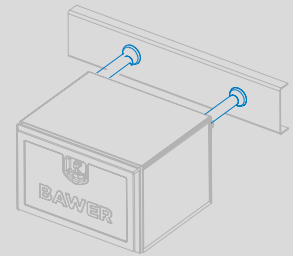


cod. E6 253 L 800 x H 500 x D 500

cod. E6 303 L 1000 x H 500 x D 500

## Fast Mounting

### for: Smart & Premium



- 
- SHIPMENT WITH CARDBOARD



for toolboxes: E6 152 - E6 153

cod. E2 950 02 Short Tube Y: 424 mm.

cod. E2 950 04 Medium Tube Y: 534 mm.

cod. E2 950 06 Long Tube Y: 644 mm.

for toolboxes: E6 202 - E6 203  
E6 252 - E6 253 - E6 302 - E6 303

cod. E2 960 02 Short Tube Y: 582 mm.

cod. E2 960 04 Medium Tube Y: 702 mm.

cod. E2 960 06 Long Tube Y: 822 mm.

## Basic

### Accessories Included

### Additional Accessories

- GAS SPRINGS
- AERATOR
- INTERNAL MAT

- SHIPMENT WITH CARDBOARD



cod. E8 150 L 500 x H 350 x D 400

cod. E8 200 L 600 x H 400 x D 500



cod. E8 250\* L 800 x H 500 x D 500

\*MOUNT ONLY: LONG HORIZONTAL BRACKETS E0 990 04  
LONG HORIZONTAL BRACKETS E6 990 04

cod. E8 300\* L 1000 x H 500 x D 500

## Plus

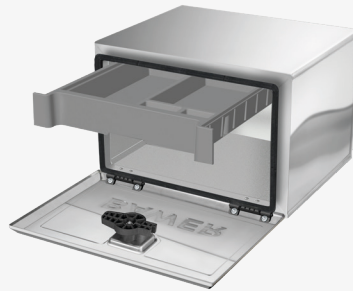
### Accessories Included

- PULL-OUT DRAWER

### Additional Accessories

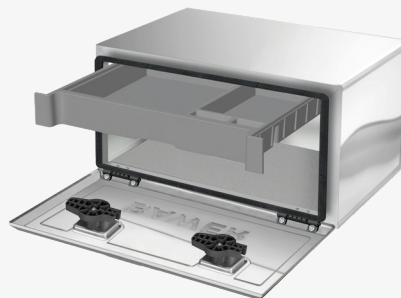
- GAS SPRINGS
- AERATOR
- INTERNAL MAT

- SHIPMENT WITH CARDBOARD



cod. E8 151 L 500 x H 350 x D 400

cod. E8 201 L 600 x H 400 x D 500



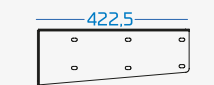
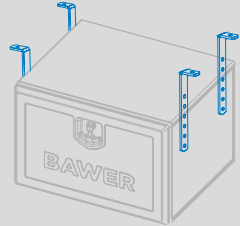
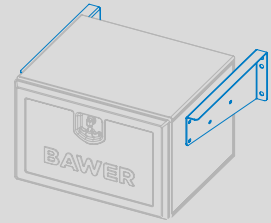
cod. E8 251\* L 800 x H 500 x D 500

\*MOUNT ONLY: LONG HORIZONTAL BRACKETS E0 990 04  
LONG HORIZONTAL BRACKETS E6 990 04

cod. E8 301\* L 1000 x H 500 x D 500

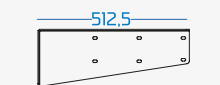
## Brackets

### for: Basic & Plus



Stainless Steel  
Short Horizontal Brackets

cod. E6 990 02



Stainless Steel  
Long Horizontal Brackets

cod. E6 990 04

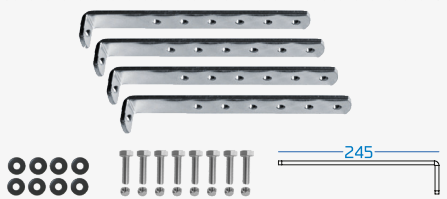


Black Powder Coated Steel  
Short Horizontal Brackets

cod. E0 990 02

Black Powder Coated Steel  
Long Horizontal Brackets

cod. E0 990 04



Galvanized Steel Brackets

cod. E0 990 06

Vertical Brackets

## Smart

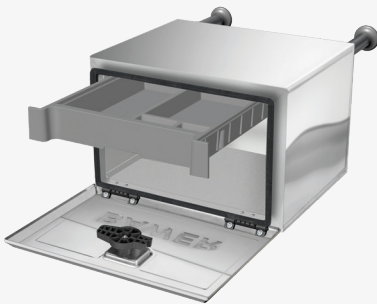
### Accessories Included

- PULL-OUT DRAWER
- SYSTEM PREDISPOSED FOR FAST MOUNTING\*  
\*FAST MOUNTING TUBE NOT INCLUDED

### Additional Accessories

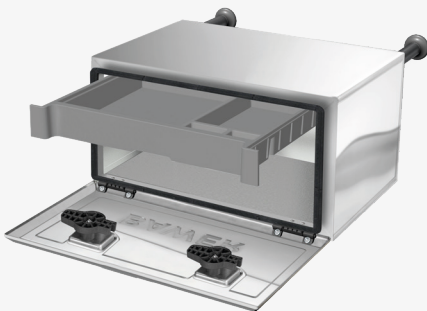
- GAS SPRINGS
- AERATOR
- INTERNAL MAT

- SHIPMENT WITH CARDBOARD



cod. E8 152 L 500 x H 350 x D 400

cod. E8 202 L 600 x H 400 x D 500



cod. E8 252 L 800 x H 500 x D 500

cod. E8 302 L 1000 x H 500 x D 500

## Premium

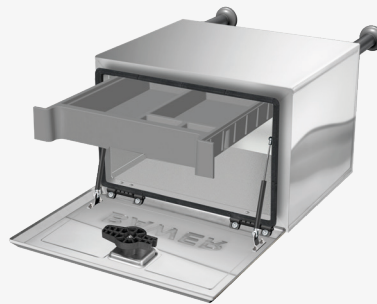
### Accessories Included

- PULL-OUT DRAWER
- GAS SPRINGS
- SYSTEM PREDISPOSED FOR FAST MOUNTING\*  
\*FAST MOUNTING TUBE NOT INCLUDED

### Additional Accessories

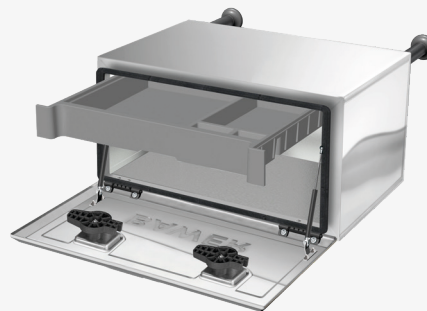
- AERATOR
- INTERNAL MAT

- SHIPMENT WITH CARDBOARD



cod. E8 153 L 500 x H 350 x D 400

cod. E8 203 L 600 x H 400 x D 500

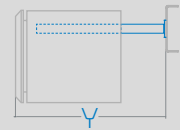
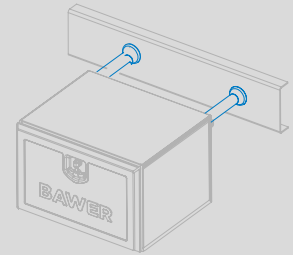


cod. E8 253 L 800 x H 500 x D 500

cod. E8 303 L 1000 x H 500 x D 500

## Fast Mounting

### for: Smart & Premium



- SHIPMENT WITH CARDBOARD



for toolboxes: E8 152 - E8 153

cod. E2 950 02 Short Tube Y: 424 mm.

cod. E2 950 04 Medium Tube Y: 534 mm.

cod. E2 950 06 Long Tube Y: 644 mm.

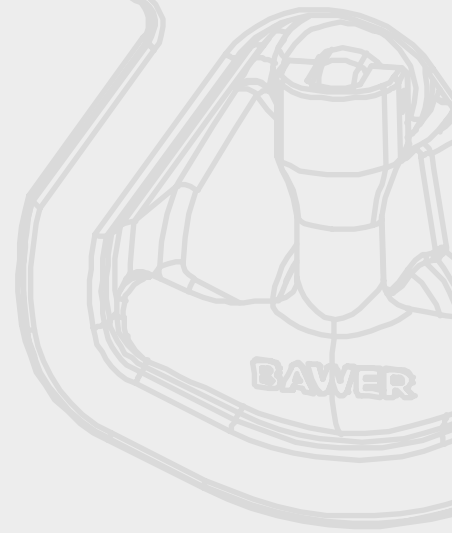
for toolboxes: E8 202 - E8 203  
E8 252 - E8 253 - E8 302 - E8 303

cod. E2 960 02 Short Tube Y: 582 mm.

cod. E2 960 04 Medium Tube Y: 702 mm.

cod. E2 960 06 Long Tube Y: 822 mm.

# Plastic Toolbox



BAWER

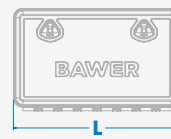
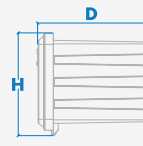
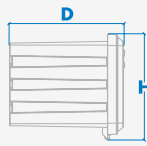
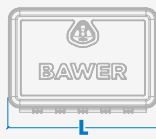




Technical Features



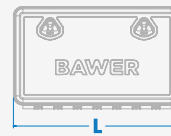
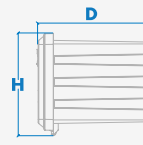
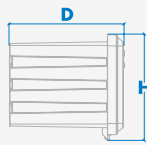
## Easy\_toolboxes



toolbox code	toolbox size mm.			toolbox weight Kg	load capacity Kg
	L	H	D		
cod. E0 140 00	500	365	300	2,2	40
cod. E0 150 00	500	365	400	2,5	40
cod. E0 200 00	600	425	460	4,8	45

toolbox code	toolbox size mm.			toolbox weight Kg	load capacity Kg
	L	H	D		
cod. E0 250 00	800	500	460	7,3	50
cod. E0 300 00	1000	500	460	10,5	55

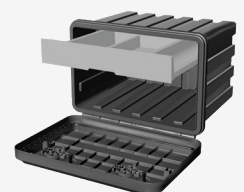
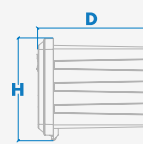
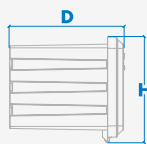
## Basic\_toolboxes



toolbox code	toolbox size mm.			toolbox weight Kg	load capacity Kg
	L	H	D		
cod. E0 140	500	365	300	2,2	40
cod. E0 150	500	365	400	2,5	40
cod. E0 200	600	425	460	4,8	45

toolbox code	toolbox size mm.			toolbox weight Kg	load capacity Kg
	L	H	D		
cod. E0 250	800	500	460	7,3	50
cod. E0 300	1000	500	460	10,5	55

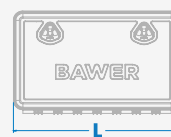
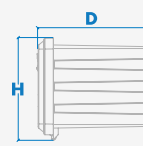
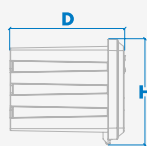
## Plus\_toolboxes



toolbox code	toolbox size mm.			toolbox weight Kg	load capacity Kg
	L	H	D		
cod. E0 151	500	365	400	3,5	40
cod. E0 201	600	425	460	6,2	45

toolbox code	toolbox size mm.			toolbox weight Kg	load capacity Kg
	L	H	D		
cod. E0 251	800	500	460	9	50
cod. E0 301	1000	500	460	12,7	55

## Premium\_toolboxes

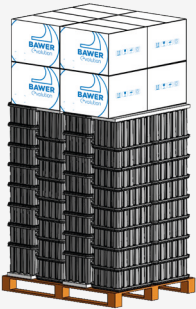


toolbox code	toolbox size mm.			toolbox weight Kg	load capacity Kg
	L	H	D		
cod. E0 142	500	365	300	2,4	40
cod. E0 152	500	365	400	3,9	40
cod. E0 202	600	425	460	6,7	45

toolbox code	toolbox size mm.			toolbox weight Kg	load capacity Kg
	L	H	D		
cod. E0 252	800	500	460	9,5	50
cod. E0 302	1000	500	460	13,3	55

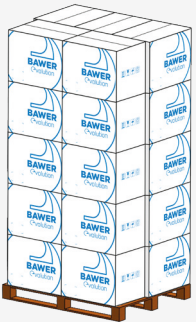


## Easy\_stackable shipment



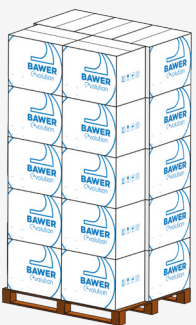
toolbox code	20 BOX			pieces per pallet	Tot. pallet	40 FT HC			pieces per pallet	Tot. pallet	TRUCK			pieces per pallet	Tot. pallet
	pallet size mm.					pallet size mm.					pallet size mm.				
	L	H	D			L	H	D			L	H	D		
cod. E0 140 00	1330	x 2270	x 1065	56	8	1330	x 2450	x 1065	64	18	1330	x 2450	x 1065	64	22
cod. E0 150 00	1330	x 2160	x 1065	48	8	1330	x 2520	x 1065	64	18	1330	x 2520	x 1065	64	22
cod. E0 200 00	1330	x 2222	x 1065	35	8	1330	x 2222	x 1065	35	18	1330	x 2222	x 1065	35	22
cod. E0 250 00	1100	x 2215	x 840	14	14	1100	x 2215	x 840	14	28	1100	x 2215	x 840	14	32
cod. E0 300 00	1060	x 2050	x 1060	12	10	1060	x 2295	x 1060	14	22	1060	x 2295	x 1060	14	24

## Basic\_shipment with cardboard



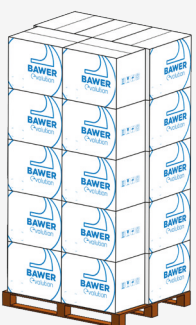
toolbox code	20 BOX			pieces per pallet	Tot. pallet	40 FT HC			pieces per pallet	Tot. pallet	TRUCK			pieces per pallet	Tot. pallet
	pallet size mm.					pallet size mm.					pallet size mm.				
	L	H	D			L	H	D			L	H	D		
cod. E0 140	1140	x 2050	x 1040	36	10	1140	x 2370	x 1040	42	22	1140	x 2690	x 1040	48	26
cod. E0 150	1140	x 2230	x 1040	30	10	1140	x 2230	x 1040	30	22	1140	x 2650	x 1040	36	26
cod. E0 200	1330	x 2050	x 1065	20	8	1330	x 2530	x 1065	25	18	1330	x 2530	x 1065	25	22
cod. E0 250	1100	x 2050	x 840	8	14	1100	x 2530	x 840	10	28	1100	x 2530	x 840	10	32
cod. E0 300	1060	x 2050	x 1060	8	10	1060	x 2530	x 1060	10	22	1060	x 2530	x 1060	10	24

## Plus\_shipment with cardboard



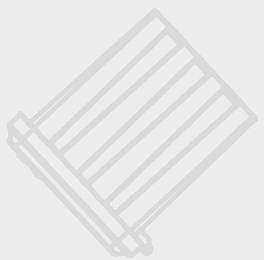
toolbox code	20 BOX			pieces per pallet	Tot. pallet	40 FT HC			pieces per pallet	Tot. pallet	TRUCK			pieces per pallet	Tot. pallet
	pallet size mm.					pallet size mm.					pallet size mm.				
	L	H	D			L	H	D			L	H	D		
cod. E0 151	1140	x 2230	x 1040	30	10	1140	x 2230	x 1040	30	22	1140	x 2650	x 1040	36	26
cod. E0 201	1330	x 2050	x 1065	20	8	1330	x 2530	x 1065	25	18	1330	x 2530	x 1065	25	22
cod. E0 251	1100	x 2050	x 840	8	14	1100	x 2530	x 840	10	28	1100	x 2530	x 840	10	32
cod. E0 301	1060	x 2050	x 1060	8	10	1060	x 2530	x 1060	10	22	1060	x 2530	x 1060	10	24

## Premium\_shipment with cardboard



toolbox code	20 BOX			pieces per pallet	Tot. pallet	40 FT HC			pieces per pallet	Tot. pallet	TRUCK			pieces per pallet	Tot. pallet
	pallet size mm.					pallet size mm.					pallet size mm.				
	L	H	D			L	H	D			L	H	D		
cod. E0 142	1140	x 2050	x 1040	36	8+2*	1140	x 2370	x 1040	42	16+6*	1140	x 2690	x 1040	48	18+8*
cod. E0 152	1140	x 2230	x 1040	30	8+2*	1140	x 2230	x 1040	30	18+4*	1140	x 2650	x 1065	36	20+4*
cod. E0 202	1330	x 2050	x 1065	20	6+2*	1330	x 2530	x 1065	25	13+5*	1330	x 2530	x 1065	25	17+5*
cod. E0 252	1100	x 2050	x 840	8	12+2*	1100	x 2530	x 840	10	24+4*	1100	x 2530	x 840	10	28+4*
cod. E0 302	1060	x 2050	x 1060	10	9+1*	1060	x 2530	x 1060	10	19+3*	1060	x 2530	x 1060	10	21+3*

\*Total number of pallets with Fast Mounting kit to satisfy the total number of toolboxes pallets

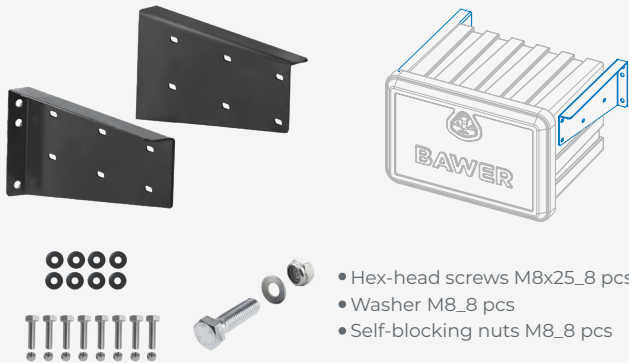


# Brackets & Fast Mounting

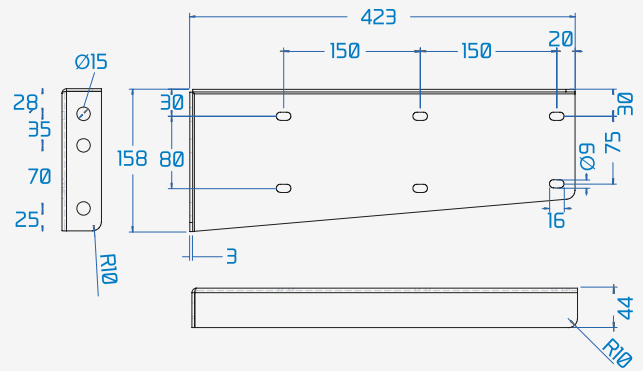
PLASTIC Toolbox

## Short Horizontal Brackets

cod. E0 990 02 - Black, Powder Coated Brackets

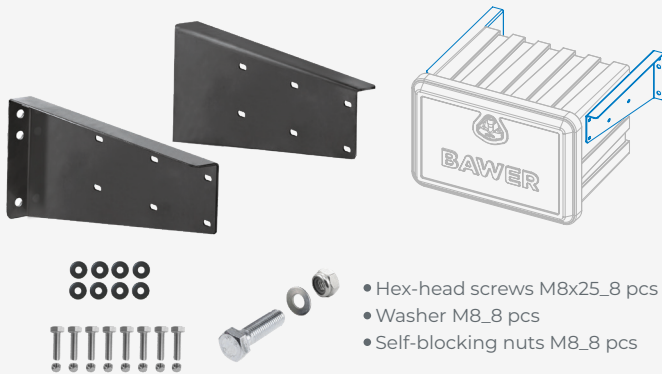


- Hex-head screws M8x25\_8 pcs
- Washer M8\_8 pcs
- Self-blocking nuts M8\_8 pcs

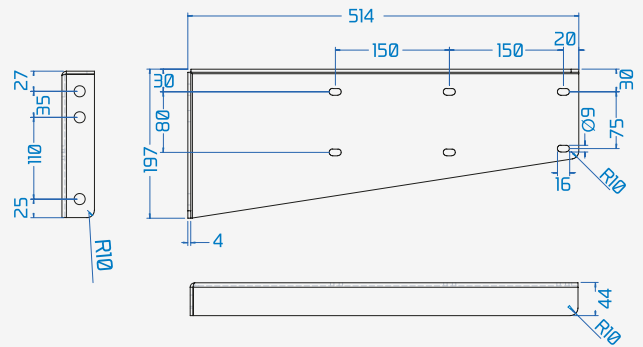


## Long Horizontal Brackets

cod. E0 990 04 - Black, Powder Coated Brackets

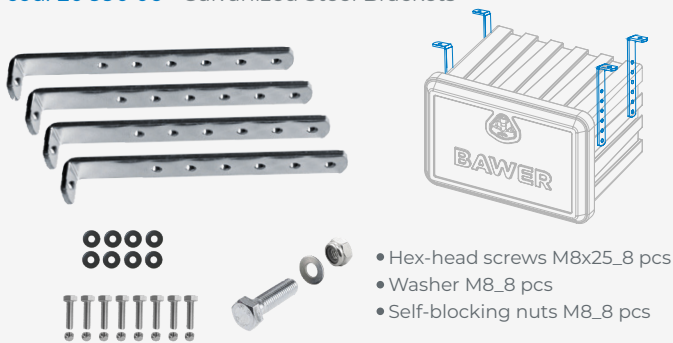


- Hex-head screws M8x25\_8 pcs
- Washer M8\_8 pcs
- Self-blocking nuts M8\_8 pcs

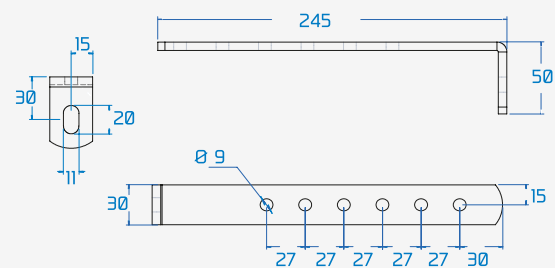


## Vertical Brackets

cod. E0 990 06 - Galvanized Steel Brackets



- Hex-head screws M8x25\_8 pcs
- Washer M8\_8 pcs
- Self-blocking nuts M8\_8 pcs





## Assembly Steps\_Fast Mounting

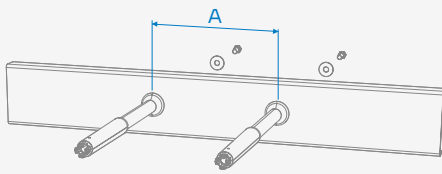
**Step\_1** Make two holes in the truck chassis and screw the fast connection tubes without tightening.

**Step\_2** Insert the toolbox until it stops (CLICK) and tighten the screw.

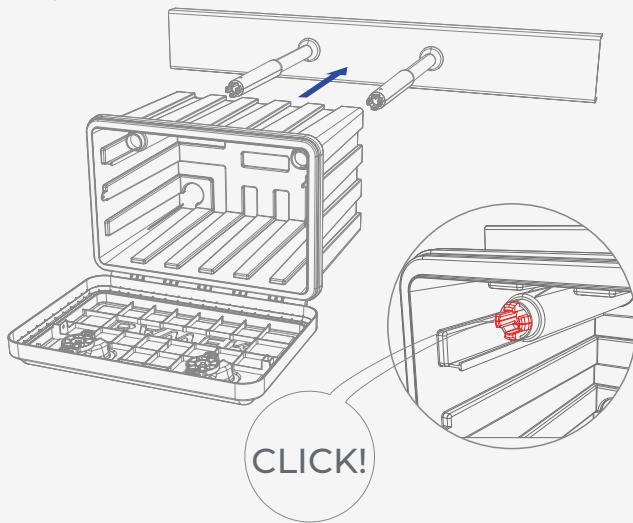
**Step\_3** Open the toolbox and insert the safety plugs.

Assembly completed.

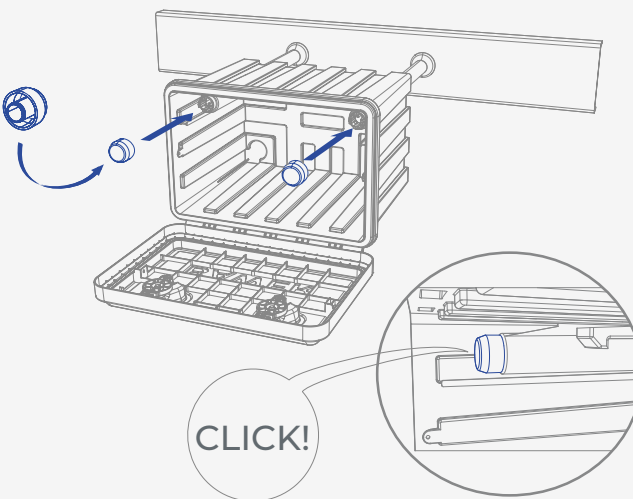
### Step\_1



### Step\_2



### Step\_3



## Technical Features\_Fast Mounting



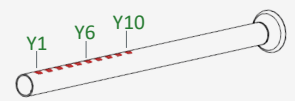
Black Powder Coated Steel Tube

TUBE - A



short, medium and long tube

TUBE - B



customized tube with multi holes

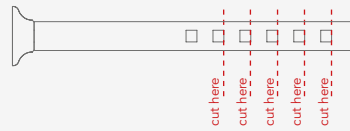
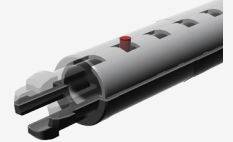
### FEATURES TUBE - B

Check which distance "Y" you need and cut as show below. After cutting it is recommended to use an anticorrosive paint.

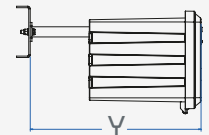
### EXAMPLE OF CUTTING TUBE



### EXAMPLE OF ASSEMBLED TUBE



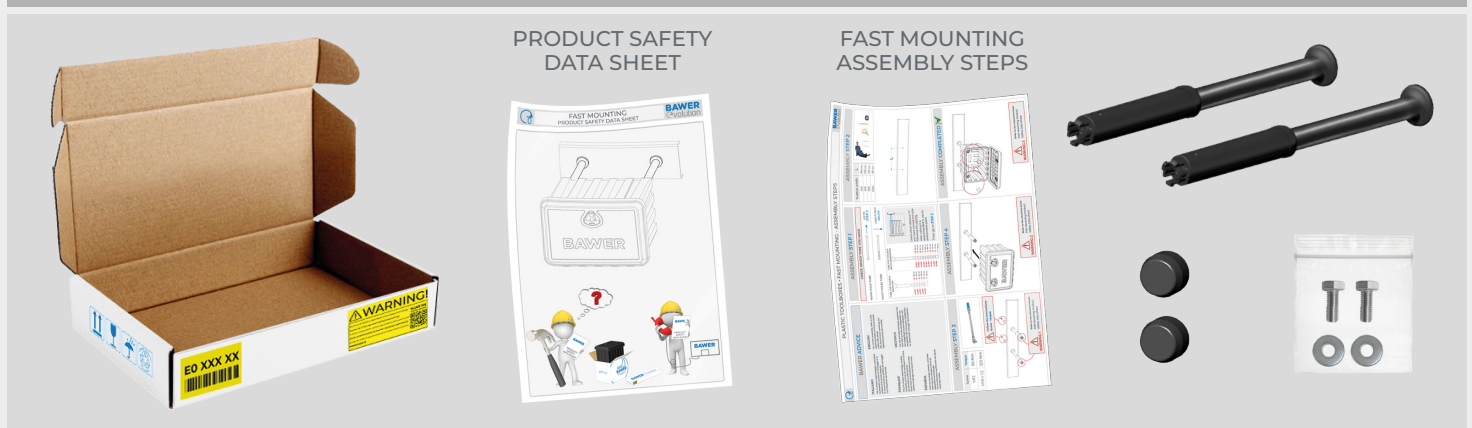
- Hex-head Screw M18  
Fine pitch thread
- Washer M18  
Wide strip



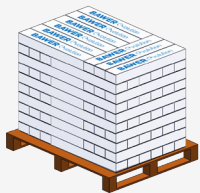
For Toolbox code	Tube diameter	A mm.	Fast Mounting Tube code	Y TUBE - A	Y TUBE - B
cod. E0 142 L 500 x H 365 x D 300	Ø 30	354	E0 950 02 - Short Tube	Y1: 424 mm.	Y1: 604 mm.
			E0 950 04 - Medium Tube	Y1: 534 mm.	Y2: 576 mm.
			E0 950 06 - Long tube	Y1: 644 mm.	Y3: 548 mm.
			E0 950 08 - Customized Tube	Y: TUBE - B	Y4: 520 mm.
cod. E0 152 L 500 x H 365 x D 400	Ø 30	354	E0 950 12 - Short Tube	Y1: 424 mm.	Y4: 520 mm.
			E0 950 14 - Medium Tube	Y1: 534 mm.	Y5: 492 mm.
			E0 950 16 - Long tube	Y1: 644 mm.	Y6: 464 mm.
cod. E0 202 L 600 x H 425 x D 460	Ø 42	430	E0 950 18 - Customized Tube	Y: TUBE - B	
			E0 960 02 - Short Tube	Y1: 582 mm.	Y1: 798 mm.
			E0 960 04 - Medium Tube	Y1: 702 mm.	Y2: 770 mm.
			E0 960 06 - Long tube	Y1: 822 mm.	Y3: 742 mm.
cod. E0 252 L 800 x H 500 x D 460	Ø 42	621	E0 960 08 - Customized Tube	Y: TUBE - B	Y4: 714 mm.
			E0 960 02 - Short Tube	Y1: 582 mm.	Y5: 686 mm.
			E0 960 04 - Medium Tube	Y1: 702 mm.	Y6: 658 mm.
			E0 960 06 - Long tube	Y1: 822 mm.	Y7: 630 mm.
cod. E0 302 L 1000 x H 500 x D 460	Ø 42	811	E0 960 08 - Customized Tube	Y: TUBE - B	Y8: 602 mm.
			E0 960 02 - Short Tube	Y1: 582 mm.	Y9: 574 mm.
			E0 960 04 - Medium Tube	Y1: 702 mm.	Y10: 546 mm.
			E0 960 06 - Long tube	Y1: 822 mm.	



## Packaging & Shipment\_Fast Mounting

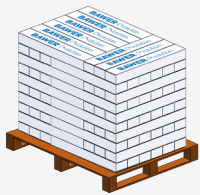


## Shipment\_Fast Mounting for Toolbox E0 142



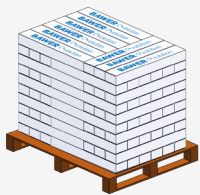
Mounting Kit tube code	20 BOX			Tot. pallet	40 FT HC			Tot. pallet	TRUCK			Tot. pallet			
	pallet size mm.				pallet size mm.				pallet size mm.						
	L	H	D	pieces per pallet	L	H	D	pieces per pallet	L	H	D	pieces per pallet			
cod. E0 950 02	1140	760	1040	144	2	1140	620	1040	112	6	1140	620	1040	108	8
cod. E0 950 04	1140	760	1040	144	2	1140	620	1040	112	6	1140	620	1040	108	8
cod. E0 950 06/08	1140	970	1040	144	2	1140	830	1040	112	6	1140	760	1040	108	8

## Shipment\_Fast Mounting for Toolbox E0 152



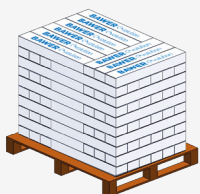
Mounting Kit tube code	20 BOX			Tot. pallet	40 FT HC			Tot. pallet	TRUCK			Tot. pallet			
	pallet size mm.				pallet size mm.				pallet size mm.						
	L	H	D	pieces per pallet	L	H	D	pieces per pallet	L	H	D	pieces per pallet			
cod. E0 950 12	1140	690	1040	120	2	1140	760	1040	135	4	1140	690	1040	120	4
cod. E0 950 14	1140	690	1040	120	2	1140	760	1040	135	4	1140	690	1040	120	4
cod. E0 950 16/18	1140	830	1040	120	2	1140	970	1040	135	4	1140	830	1040	120	4

## Shipment\_Fast Mounting for Toolbox E0 202



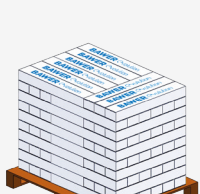
Mounting Kit tube code	20 BOX			Tot. pallet	40 FT HC			Tot. pallet	TRUCK			Tot. pallet			
	pallet size mm.				pallet size mm.				pallet size mm.						
	L	H	D	pieces per pallet	L	H	D	pieces per pallet	L	H	D	pieces per pallet			
cod. E0 960 02	1330	555	1065	60	2	1330	555	1065	65	5	1330	725	1065	85	5
cod. E0 960 04	1330	555	1065	60	2	1330	640	1065	65	5	1330	980	1065	85	5
cod. E0 960 06/08	1330	725	1065	60	2	1330	810	1065	65	5	1330	980	1065	85	5

## Shipment\_Fast Mounting for Toolbox E0 252



Mounting Kit tube code	20 BOX			Tot. pallet	40 FT HC			Tot. pallet	TRUCK			Tot. pallet			
	pallet size mm.				pallet size mm.				pallet size mm.						
	L	H	D	pieces per pallet	L	H	D	pieces per pallet	L	H	D	pieces per pallet			
cod. E0 960 02	1100	555	840	48	2	1330	640	1065	60	4	1100	725	840	70	4
cod. E0 960 04	1100	725	840	48	2	1330	895	1065	60	4	1100	980	840	70	4
cod. E0 960 06/08	1100	725	840	48	2	1100	895	840	60	4	1100	980	840	70	4

## Shipment\_Fast Mounting for Toolbox E0 302



Mounting Kit tube code	20 BOX			Tot. pallet	40 FT HC			Tot. pallet	TRUCK			Tot. pallet			
	pallet size mm.				pallet size mm.				pallet size mm.						
	L	H	D	pieces per pallet	L	H	D	pieces per pallet	L	H	D	pieces per pallet			
cod. E0 960 02	1060	640	1060	72	1	1060	640	1060	63	2	1060	640	1060	70	3
									64	1					
cod. E0 960 04	1060	1065	1060	72	1	1060	895	1060	63	2	1060	980	1060	70	3
									64	1					
									63	2					
cod. E0 960 06/08	1060	1065	1060	72	1	1060	895	1060	63	2	1060	980	1060	70	3
									64	1					



## Assembly Steps\_Adj. Fast Mounting

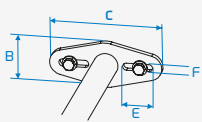
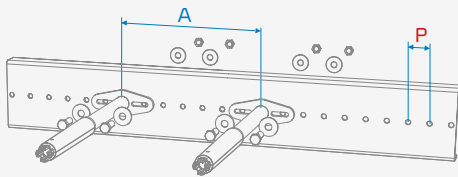
**Step\_1** Make two holes in the truck chassis and screw the fast connection tubes without tightening.

**Step\_2** Insert the toolbox until it stops (CLICK) and tighten the screw.

**Step\_3** Open the toolbox and insert the safety plugs.

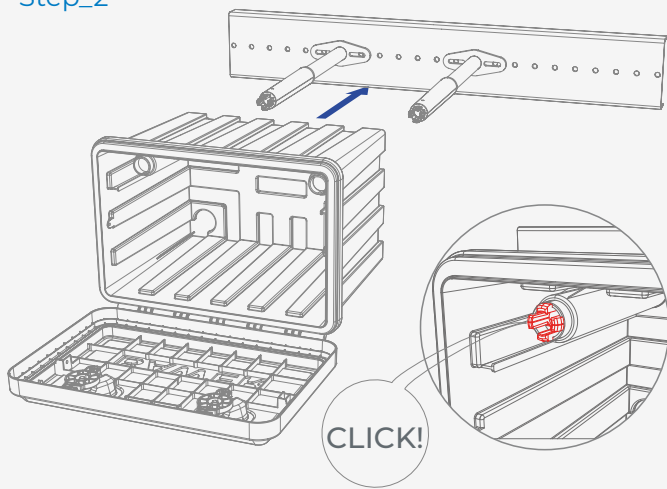
Assembly completed.

### Step\_1

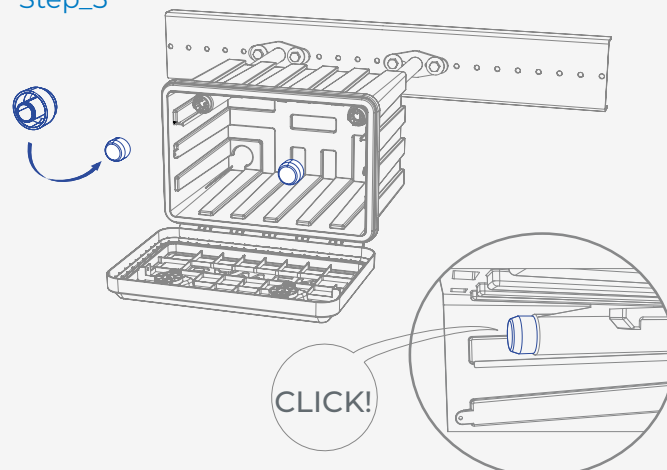


For Toolbox length	A	B	C	E	F
500	354	68	180	45	13
600	430	80	195	52	13
800	621	80	195	52	13
1000	811	80	195	52	13

### Step\_2

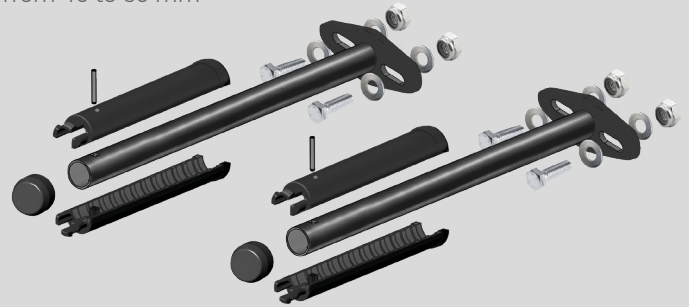


### Step\_3



## Technical Features\_Adj. ast Mounting

SUITABLE FOR CHASSIS WITH PRE-DRILLED HOLES  
P: from 40 to 60 mm



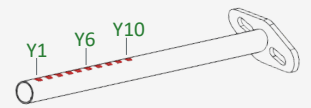
Black Powder Coated Steel Tube

TUBE - A



short, medium and long tube

TUBE - B



customized tube with multi holes

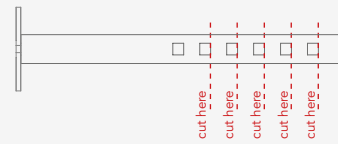
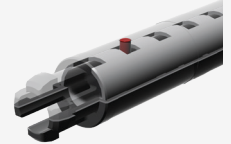
### FEATURES TUBE - B

Check which distance "Y" you need and cut as show below. After cutting it is recommended to use an anticorrosive paint.

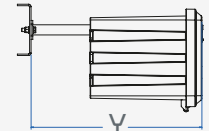
EXAMPLE OF CUTTING TUBE



EXAMPLE OF ASSEMBLED TUBE



- Screw TE M12X50 ZNB  
4 pcs
- Washer M12 ZNB  
8 pcs
- Self-blocking nut M12  
4 pcs

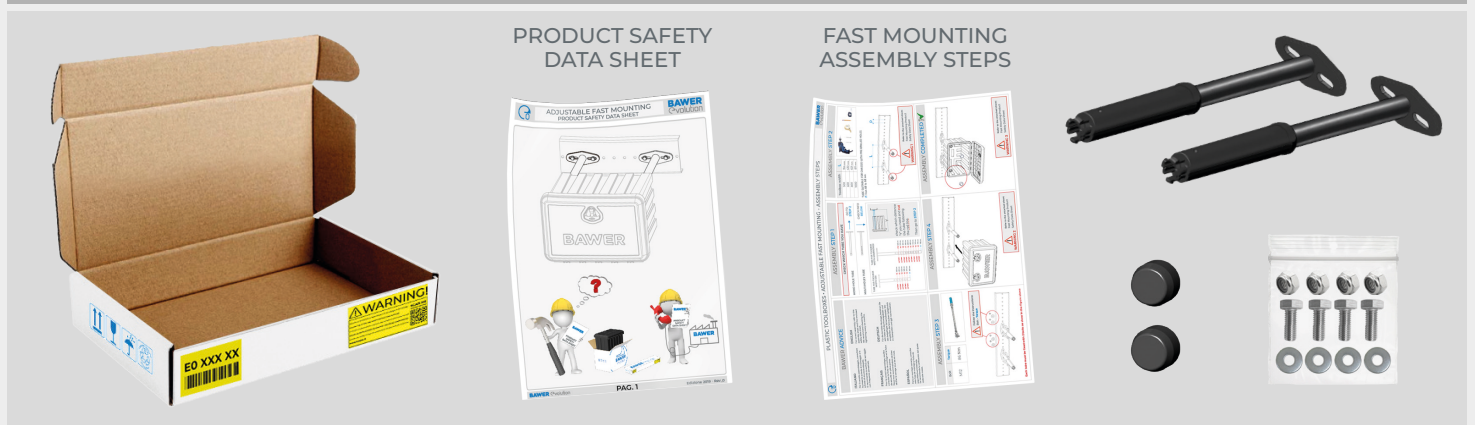


For Toolbox code	Tube diameter	A mm.	Fast Mounting Tube code	Y TUBE - A	Y TUBE - B
cod. E0 142 L 500 x H 365 x D 300	Ø 30	354	E0 951 02 - Short Tube	Y1: 424 mm.	Y1: 604 mm.
			E0 951 04 - Medium Tube	Y1: 534 mm.	Y2: 576 mm.
			E0 951 06 - Long tube	Y1: 644 mm.	Y3: 548 mm.
			E0 951 08 - Customized Tube	Y: TUBE - B	Y4: 520 mm.
cod. E0 152 L 500 x H 365 x D 400	Ø 30	354	E0 951 12 - Short Tube	Y1: 424 mm.	Y4: 520 mm.
			E0 951 14 - Medium Tube	Y1: 534 mm.	Y5: 492 mm.
			E0 951 16 - Long tube	Y1: 644 mm.	Y6: 464 mm.
cod. E0 202 L 600 x H 425 x D 460	Ø 42	430	E0 961 02 - Short Tube	Y1: 582 mm.	Y1: 798 mm.
			E0 961 04 - Medium Tube	Y1: 702 mm.	Y2: 770 mm.
			E0 961 06 - Long tube	Y1: 822 mm.	Y3: 742 mm.
			E0 961 08 - Customized Tube	Y: TUBE - B	Y4: 714 mm.
cod. E0 252 L 800 x H 500 x D 460	Ø 42	621	E0 961 02 - Short Tube	Y1: 582 mm.	Y5: 686 mm.
			E0 961 04 - Medium Tube	Y1: 702 mm.	Y6: 658 mm.
			E0 961 06 - Long tube	Y1: 822 mm.	Y7: 630 mm.
cod. E0 302 L 1000 x H 500 x D 460	Ø 42	811	E0 961 02 - Short Tube	Y1: 582 mm.	Y8: 602 mm.
			E0 961 04 - Medium Tube	Y1: 702 mm.	Y9: 574 mm.
			E0 961 06 - Long tube	Y1: 822 mm.	Y10: 546 mm.
			E0 961 08 - Customized Tube	Y: TUBE - B	

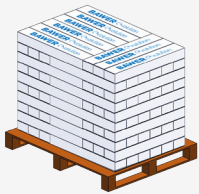




## Packaging & Shipment\_Adj. Fast Mounting

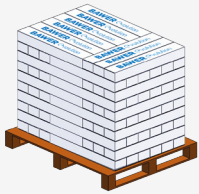


## Shipment\_Adjustable Fast Mounting for Toolbox E0 142



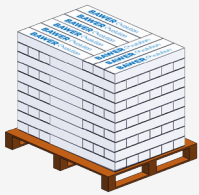
Mounting Kit tube code	20 BOX				40 FT HC				TRUCK						
	pallet size mm.			pieces per pallet	Tot. pallet	pallet size mm.			pieces per pallet	Tot. pallet	pallet size mm.			pieces per pallet	Tot. pallet
	L	H	D			L	H	D			L	H	D		
cod. E0 951 02	1140	1255	1040	144	2	1140	1030	1040	112	6	1140	955	1040	108	8
cod. E0 951 04	1140	1480	1040	144	2	1140	1180	1040	112	6	1140	1180	1040	108	8
cod. E0 951 06/08	1140	1930	1040	144	2	1140	1555	1040	112	6	1140	1480	1040	108	8

## Shipment\_Adjustable Fast Mounting for Toolbox E0 152



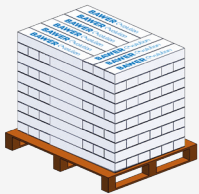
Mounting Kit tube code	20 BOX				40 FT HC				TRUCK						
	pallet size mm.			pieces per pallet	Tot. pallet	pallet size mm.			pieces per pallet	Tot. pallet	pallet size mm.			pieces per pallet	Tot. pallet
	L	H	D			L	H	D			L	H	D		
cod. E0 951 12	1140	1030	1040	120	2	1140	1180	1040	135	4	1140	1030	1040	120	4
cod. E0 951 14	1140	1255	1040	120	2	1140	1405	1040	135	4	1140	1255	1040	120	4
cod. E0 951 16/18	1140	1630	1040	120	2	1140	1855	1040	135	4	1140	1630	1040	120	4

## Shipment\_Adjustable Fast Mounting for Toolbox E0 202



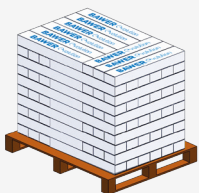
Mounting Kit tube code	20 BOX				40 FT HC				TRUCK						
	pallet size mm.			pieces per pallet	Tot. pallet	pallet size mm.			pieces per pallet	Tot. pallet	pallet size mm.			pieces per pallet	Tot. pallet
	L	H	D			L	H	D			L	H	D		
cod. E0 961 02	1330	640	1065	60	2	1330	725	1065	65	5	1330	895	1065	85	5
cod. E0 961 04	1330	895	1065	60	2	1330	980	1065	65	5	1330	1235	1065	85	5
cod. E0 961 06/08	1330	980	1065	60	2	1330	1065	1065	65	5	1330	1405	1065	85	5

## Shipment\_Adjustable Fast Mounting for Toolbox E0 252



Mounting Kit tube code	20 BOX				40 FT HC				TRUCK						
	pallet size mm.			pieces per pallet	Tot. pallet	pallet size mm.			pieces per pallet	Tot. pallet	pallet size mm.			pieces per pallet	Tot. pallet
	L	H	D			L	H	D			L	H	D		
cod. E0 961 02	1100	810	840	48	2	1100	980	840	60	4	1100	1150	840	70	4
cod. E0 961 04	1100	1150	840	48	2	1100	1405	840	60	4	1100	1660	840	70	4
cod. E0 961 06/08	1100	1150	840	48	2	1100	1405	840	60	4	1100	1660	840	70	4

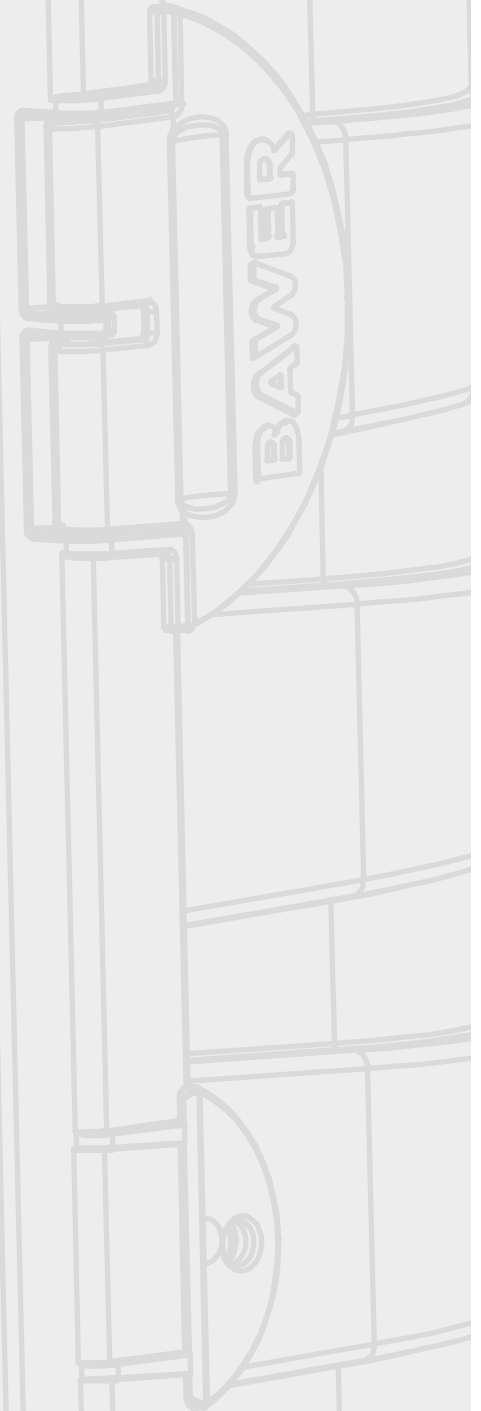
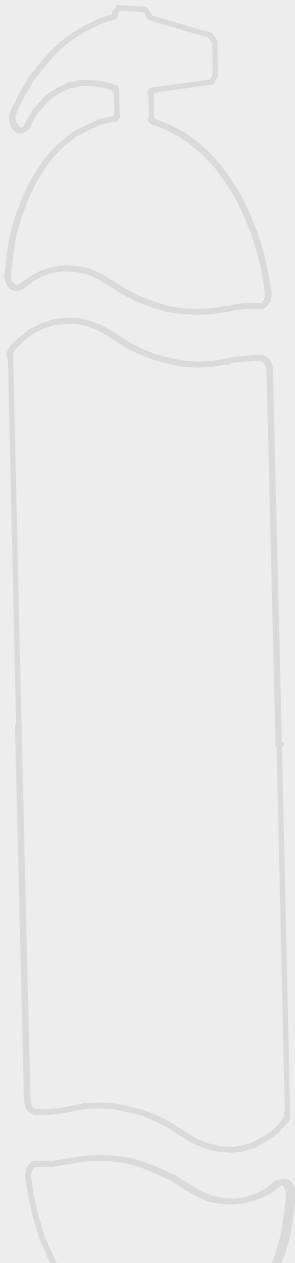
## Shipment\_Adjustable Fast Mounting for Toolbox E0 302



Mounting Kit tube code	20 BOX				40 FT HC				TRUCK						
	pallet size mm.			pieces per pallet	Tot. pallet	pallet size mm.			pieces per pallet	Tot. pallet	pallet size mm.			pieces per pallet	Tot. pallet
	L	H	D			L	H	D			L	H	D		
cod. E0 961 02	1060	895	1060	72	1	1060	810	1060	64	2	1060	895	1060	70	3
						1060	810	1060	63	1					
cod. E0 961 04	1060	1405	1060	72	1	1060	1235	1060	63	2	1060	1320	1060	70	3
						1060	1235	1060	64	1					
cod. E0 961 06/08	1060	1405	1060	72	1	1060	1235	1060	63	2	1060	1320	1060	70	3
						1060	1235	1060	64	1					

BAWVER

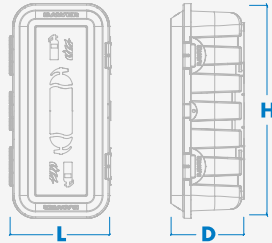
# Fire Extinguisher Box



Technical Features



## Easy\_fire extinguisher box

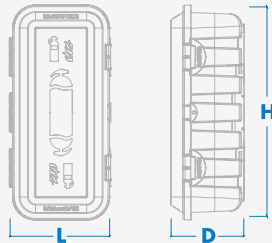


extinguisher box code	size mm.			weight Kg	extinguisher diameter
	L	H	D		
cod. E0 80 2 00	280	620	215	2,08	160

### Logistic

	pallet size mm.			pieces per pallet	Tot. pallet
	L	H	D		
20 BOX	1300	2071	970	108	10
40 FT HC	1300	2482	970	126	21
TRUCK	1300	2683	970	144	24

## Basic\_fire extinguisher box

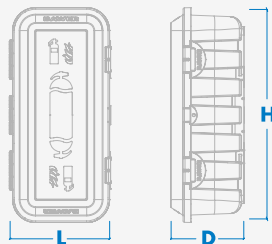


extinguisher box code	size mm.			weight Kg	extinguisher diameter
	L	H	D		
cod. E0 80 2	280	620	215	2,08	160

### Logistic

	pallet size mm.			pieces per pallet	Tot. pallet
	L	H	D		
20 BOX	1300	2200	970	54	10
40 FT HC	1300	2430	970	60	21
TRUCK	1300	2660	970	66	24

## Easy Plus\_fire extinguisher box

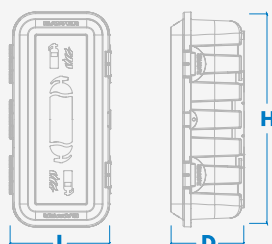
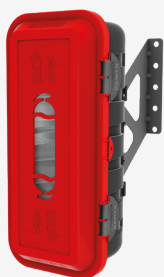


extinguisher box code	size mm.			weight Kg	extinguisher diameter
	L	H	D		
cod. E0 80 4 00	280	620	215	2,08	160

### Logistic

	pallet size mm.			pieces per pallet	Tot. pallet
	L	H	D		
20 BOX	1300	2098	970	54	10
40 FT HC	1300	2098	970	54	21
TRUCK	1300	2098	970	54	24

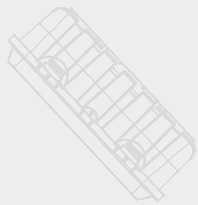
## Premium\_fire extinguisher box



extinguisher box code	size mm.			weight Kg	extinguisher diameter
	L	H	D		
cod. E0 80 4	280	620	215	2,08	160

### Logistic

	pallet size mm.			pieces per pallet	Tot. pallet
	L	H	D		
20 BOX	1300	2140	970	36	10
40 FT HC	1300	2370	970	39	21
TRUCK	1300	2600	970	43	24



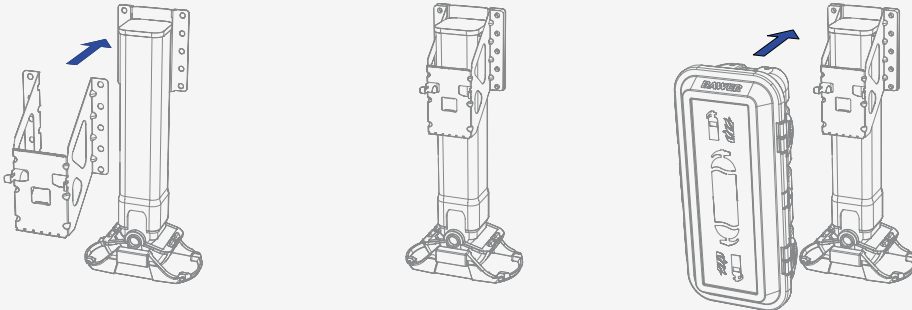
Bracket & Ring-Holder

Extinguisher Box



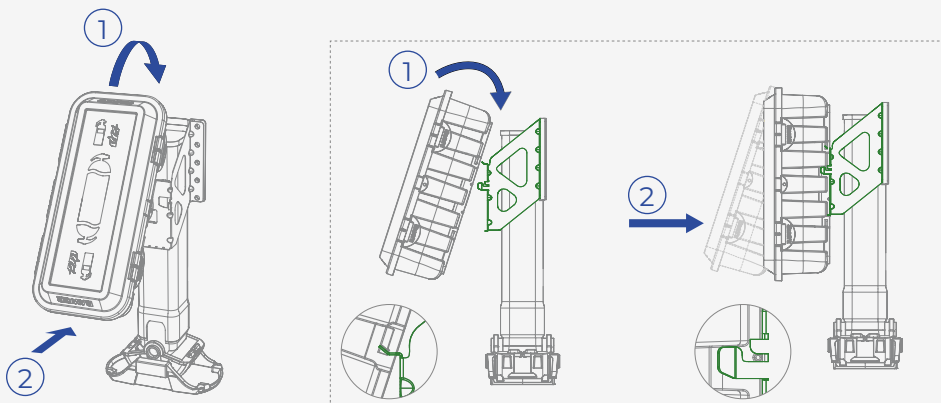
## Assembly Steps\_Fast Mounting

**Step\_1** Secure the bracket to the corresponding fixing holes of vehicle lending leg.



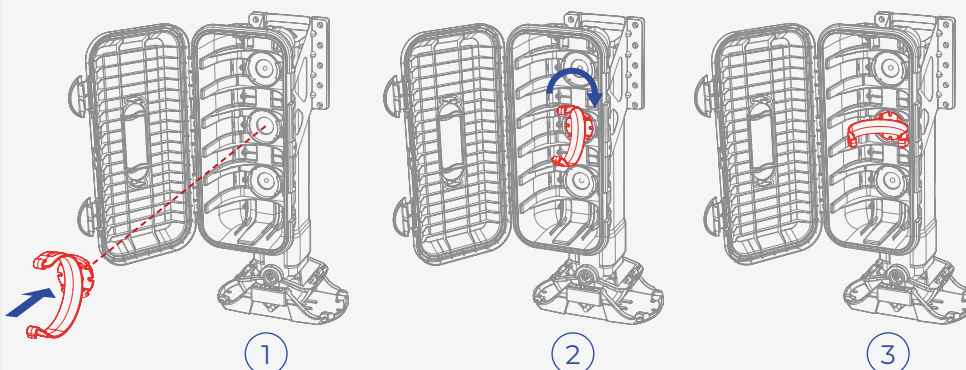
**Step\_2** Fix the fire extinguisher box to the bracket following the instructions below:

- 1\_hook the fire extinguisher box to the upper wings of the bracket
- 2\_push the fire extinguisher box and be guided by the side wings of the bracket

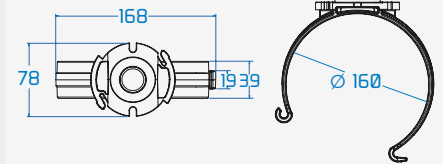


**Step\_3** Secure the fire extinguisher box to the bracket by following the instructions below:

- 1\_insert the fire extinguisher ring into the central hole of the box body
- 2\_turn the fire extinguisher ring until it stops (as shown in point 3)
- 3\_Assembled completed

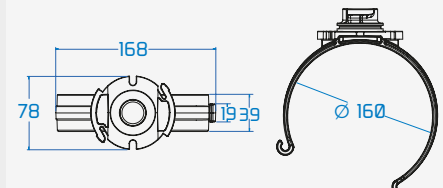


## Ring-Holder



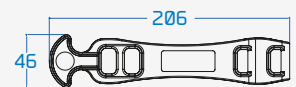
Ring-Holder for fire extinguisher of 6 Kg.

## Fast Mounting Ring-Holder

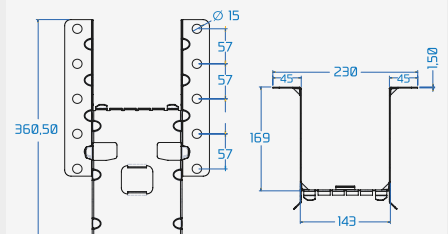
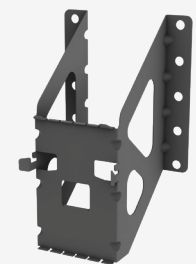


Ring-Holder for fire extinguisher of 6 Kg.

## Rubber Clamp



## Fast Mounting Bracket



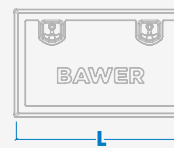
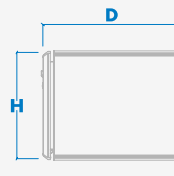
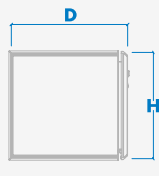
# Metal Toolboxes



R

## Technical Features

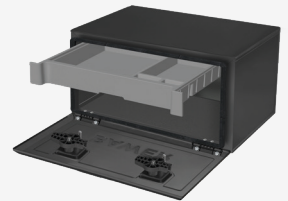
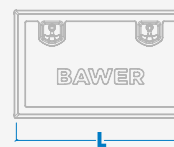
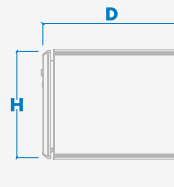
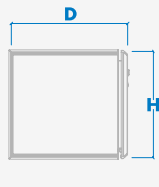
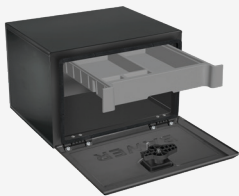
## Basic\_toolboxes



toolbox code	toolbox size mm.			toolbox weight Kg	load capacity Kg
	L	H	D		
cod. E2 150	500	350	400	8,1	60
cod. E2 200	600	400	500	11,5	75

toolbox code	toolbox size mm.			toolbox weight Kg	load capacity Kg
	L	H	D		
cod. E2 250	800	500	500	19	83
cod. E2 300	1000	500	500	23	90

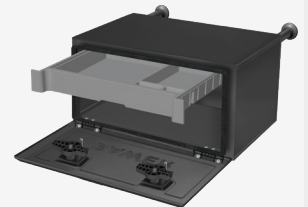
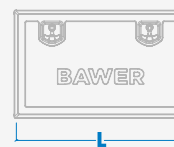
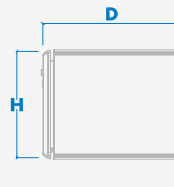
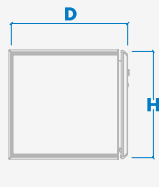
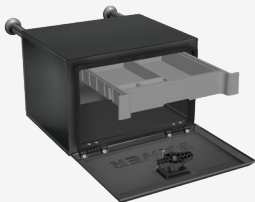
## Plus\_toolboxes



toolbox code	toolbox size mm.			toolbox weight Kg	load capacity Kg
	L	H	D		
cod. E2 151	500	350	400	10,1	60
cod. E2 201	600	400	500	14	75

toolbox code	toolbox size mm.			toolbox weight Kg	load capacity Kg
	L	H	D		
cod. E2 251	800	500	500	22	83
cod. E2 301	1000	500	500	26,5	90

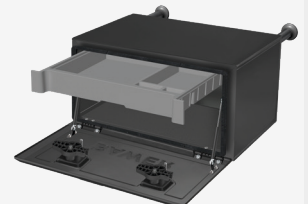
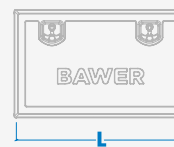
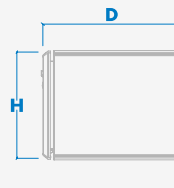
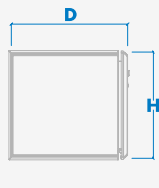
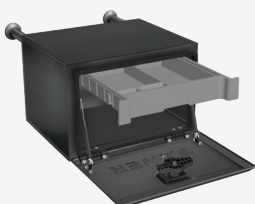
## Smart\_toolboxes



toolbox code	toolbox size mm.			toolbox weight Kg	load capacity Kg
	L	H	D		
cod. E2 152	500	350	400	10,1	60
cod. E2 202	600	400	500	14	75

toolbox code	toolbox size mm.			toolbox weight Kg	load capacity Kg
	L	H	D		
cod. E2 252	800	500	500	22	83
cod. E2 302	1000	500	500	26,5	90

## Premium\_toolboxes



toolbox code	toolbox size mm.			toolbox weight Kg	load capacity Kg
	L	H	D		
cod. E2 153	500	350	400	10,6	60
cod. E2 203	600	400	500	15	75

toolbox code	toolbox size mm.			toolbox weight Kg	load capacity Kg
	L	H	D		
cod. E2 253	800	500	500	23	83
cod. E2 303	1000	500	500	27	90



## Basic\_shipment with cardboard



toolbox code	20 BOX				40 FT HC				TRUCK						
	pallet size mm.			pieces per pallet	Tot. pallet	pallet size mm.			pieces per pallet	Tot. pallet	pallet size mm.			pieces per pallet	Tot. pallet
L	H	D	L			H	D	L			H	D			
cod. E2 150	1100 x 2000 x 1400			30	8	1100 x 2400 x 1400			36	16	1100 x 2400 x 1400			36	18
cod. E2 200	1100 x 2250 x 1250			20	8	1100 x 2250 x 1250			20	18	1100 x 2680 x 1250			24	22
cod. E2 250	830 x 2250 x 1080			8	14	830 x 2250 x 1080			8	28	830 x 2250 x 1080			8	32
cod. E2 300	1060 x 2250 x 1060			8	10	1060 x 2250 x 1060			8	22	1060 x 2250 x 1060			8	24

## Plus\_shipment with cardboard



toolbox code	20 BOX				40 FT HC				TRUCK						
	pallet size mm.			pieces per pallet	Tot. pallet	pallet size mm.			pieces per pallet	Tot. pallet	pallet size mm.			pieces per pallet	Tot. pallet
L	H	D	L			H	D	L			H	D			
cod. E2 151	1100 x 2000 x 1400			30	8	1100 x 2400 x 1400			36	16	1100 x 2400 x 1400			36	18
cod. E2 201	1100 x 2250 x 1250			20	8	1100 x 2250 x 1250			20	18	1100 x 2680 x 1250			24	22
cod. E2 251	830 x 2250 x 1080			8	14	830 x 2250 x 1080			8	28	830 x 2250 x 1080			8	32
cod. E2 301	1060 x 2250 x 1060			8	10	1060 x 2250 x 1060			8	22	1060 x 2250 x 1060			8	24

## Smart\_shipment with cardboard



toolbox code	20 BOX				40 FT HC				TRUCK						
	pallet size mm.			pieces per pallet	Tot. pallet	pallet size mm.			pieces per pallet	Tot. pallet	pallet size mm.			pieces per pallet	Tot. pallet
L	H	D	L			H	D	L			H	D			
cod. E2 152	1100 x 2000 x 1400			30	6 + 2*	1100 x 2400 x 1400			36	12 + 4*	1100 x 2400 x 1400			36	14 + 4*
cod. E2 202	1100 x 2250 x 1250			20	6 + 2*	1100 x 2250 x 1250			20	14 + 4*	1100 x 2680 x 1250			24	18 + 4*
cod. E2 252	1100 x 2250 x 840			8	13 + 1*	1100 x 2250 x 840			8	26 + 2*	1100 x 2250 x 840			8	28 + 4*
cod. E2 302	1060 x 2250 x 1060			8	9 + 1*	1060 x 2250 x 1060			8	20 + 2*	1060 x 2250 x 1060			8	22 + 2*

\*Total number of pallets with Fast Mounting kit to satisfy the total number of toolboxes pallets

## Premium\_shipment with cardboard

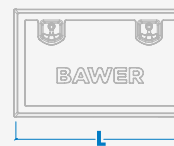
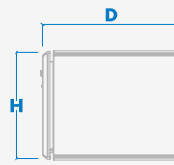
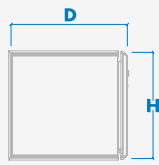


toolbox code	20 BOX				40 FT HC				TRUCK						
	pallet size mm.			pieces per pallet	Tot. pallet	pallet size mm.			pieces per pallet	Tot. pallet	pallet size mm.			pieces per pallet	Tot. pallet
L	H	D	L			H	D	L			H	D			
cod. E2 153	1100 x 2000 x 1400			30	6 + 2*	1100 x 2400 x 1400			36	12 + 4*	1100 x 2400 x 1400			36	14 + 4*
cod. E2 203	1100 x 2250 x 1250			20	6 + 2*	1100 x 2250 x 1250			20	14 + 4*	1100 x 2680 x 1250			24	18 + 4*
cod. E2 253	1100 x 2250 x 840			8	13 + 1*	1100 x 2250 x 840			8	26 + 2*	1100 x 2250 x 840			8	28 + 4*
cod. E2 303	1060 x 2250 x 1060			8	9 + 1*	1060 x 2250 x 1060			8	20 + 2*	1060 x 2250 x 1060			8	22 + 2*

\*Total number of pallets with Fast Mounting kit to satisfy the total number of toolboxes pallets



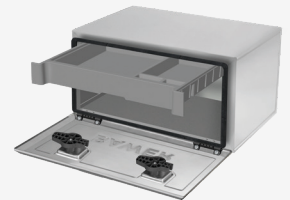
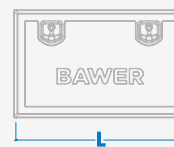
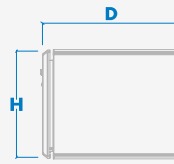
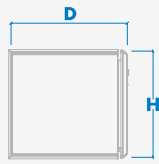
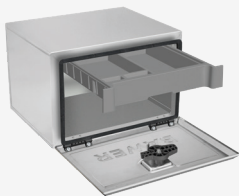
## Basic\_toolboxes



toolbox code	toolbox size mm.			toolbox weight Hg	load capacity Hg
	L	H	D		
cod. E4 150	500	350	400	6,0	60
cod. E4 200	600	400	500	8,5	75

toolbox code	toolbox size mm.			toolbox weight Hg	load capacity Hg
	L	H	D		
cod. E4 250	800	500	500	12	83
cod. E4 300	1000	500	500	15	90

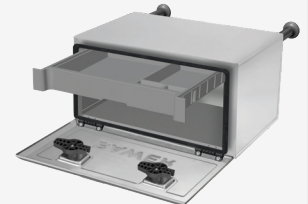
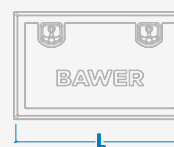
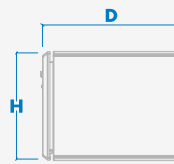
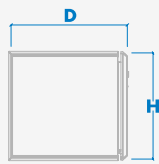
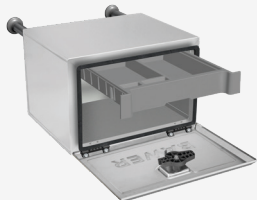
## Plus\_toolboxes



toolbox code	toolbox size mm.			toolbox weight Hg	load capacity Hg
	L	H	D		
cod. E4 151	500	350	400	8	60
cod. E4 201	600	400	500	11	75

toolbox code	toolbox size mm.			toolbox weight Hg	load capacity Hg
	L	H	D		
cod. E4 251	800	500	500	15	83
cod. E4 301	1000	500	500	18,5	90

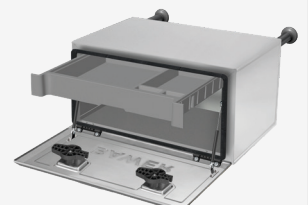
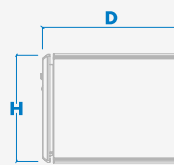
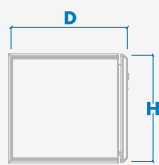
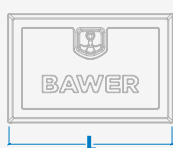
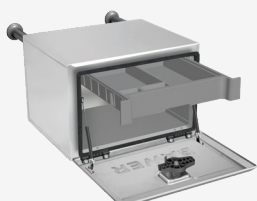
## Smart\_toolboxes



toolbox code	toolbox size mm.			toolbox weight Hg	load capacity Hg
	L	H	D		
cod. E4 152	500	350	400	8	60
cod. E4 202	600	400	500	11	75

toolbox code	toolbox size mm.			toolbox weight Hg	load capacity Hg
	L	H	D		
cod. E4 252	800	500	500	15	83
cod. E4 302	1000	500	500	18,5	90

## Premium\_toolboxes



toolbox code	toolbox size mm.			toolbox weight Hg	load capacity Hg
	L	H	D		
cod. E4 153	500	350	400	8,5	60
cod. E4 203	600	400	500	12	75

toolbox code	toolbox size mm.			toolbox weight Hg	load capacity Hg
	L	H	D		
cod. E4 253	800	500	500	16	83
cod. E4 303	1000	500	500	19	90

## Basic\_shipment with cardboard



toolbox code	20 BOX				40 FT HC				TRUCK						
	pallet size mm.			pieces per pallet	Tot. pallet	pallet size mm.			pieces per pallet	Tot. pallet	pallet size mm.			pieces per pallet	Tot. pallet
L	H	D	L			H	D	L			H	D			
cod. E4 150	1100 x 2000 x 1400			30	8	1100 x 2400 x 1400			36	16	1100 x 2400 x 1400			36	18
cod. E4 200	1100 x 2250 x 1250			20	8	1100 x 2250 x 1250			20	18	1100 x 2680 x 1250			24	22
cod. E4 250	830 x 2250 x 1080			8	14	830 x 2250 x 1080			8	28	830 x 2250 x 1080			8	32
cod. E4 300	1060 x 2250 x 1060			8	10	1060 x 2250 x 1060			8	22	1060 x 2250 x 1060			8	24

## Plus\_shipment with cardboard



toolbox code	20 BOX				40 FT HC				TRUCK						
	pallet size mm.			pieces per pallet	Tot. pallet	pallet size mm.			pieces per pallet	Tot. pallet	pallet size mm.			pieces per pallet	Tot. pallet
L	H	D	L			H	D	L			H	D			
cod. E4 151	1100 x 2000 x 1400			30	8	1100 x 2400 x 1400			36	16	1100 x 2400 x 1400			36	18
cod. E4 201	1100 x 2250 x 1250			20	8	1100 x 2250 x 1250			20	18	1100 x 2680 x 1250			24	22
cod. E4 251	830 x 2250 x 1080			8	14	830 x 2250 x 1080			8	28	830 x 2250 x 1080			8	32
cod. E4 301	1060 x 2250 x 1060			8	10	1060 x 2250 x 1060			8	22	1060 x 2250 x 1060			8	24

## Smart\_shipment with cardboard



toolbox code	20 BOX				40 FT HC				TRUCK						
	pallet size mm.			pieces per pallet	Tot. pallet	pallet size mm.			pieces per pallet	Tot. pallet	pallet size mm.			pieces per pallet	Tot. pallet
L	H	D	L			H	D	L			H	D			
cod. E4 152	1100 x 2000 x 1400			30	6 + 2*	1100 x 2400 x 1400			36	12 + 4*	1100 x 2400 x 1400			36	14 + 4*
cod. E4 202	1100 x 2250 x 1250			20	6 + 2*	1100 x 2250 x 1250			20	14 + 4*	1100 x 2680 x 1250			24	18 + 4*
cod. E4 252	1100 x 2250 x 840			8	13 + 1*	1100 x 2250 x 840			8	26 + 2*	1100 x 2250 x 840			8	28 + 4*
cod. E4 302	1060 x 2250 x 1060			8	9 + 1*	1060 x 2250 x 1060			8	20 + 2*	1060 x 2250 x 1060			8	22 + 2*

\*Total number of pallets with Fast Mounting kit to satisfy the total number of toolboxes pallets

## Premium\_shipment with cardboard



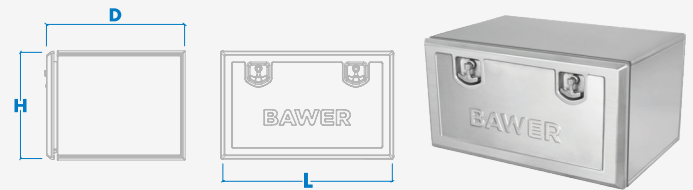
toolbox code	20 BOX				40 FT HC				TRUCK						
	pallet size mm.			pieces per pallet	Tot. pallet	pallet size mm.			pieces per pallet	Tot. pallet	pallet size mm.			pieces per pallet	Tot. pallet
L	H	D	L			H	D	L			H	D			
cod. E4 153	1100 x 2000 x 1400			30	6 + 2*	1100 x 2400 x 1400			36	12 + 4*	1100 x 2400 x 1400			36	14 + 4*
cod. E4 203	1100 x 2250 x 1250			20	6 + 2*	1100 x 2250 x 1250			20	14 + 4*	1100 x 2680 x 1250			24	18 + 4*
cod. E4 253	1100 x 2250 x 840			8	13 + 1*	1100 x 2250 x 840			8	26 + 2*	1100 x 2250 x 840			8	28 + 4*
cod. E4 303	1060 x 2250 x 1060			8	9 + 1*	1060 x 2250 x 1060			8	20 + 2*	1060 x 2250 x 1060			8	22 + 2*

\*Total number of pallets with Fast Mounting kit to satisfy the total number of toolboxes pallets

## Basic\_toolboxes

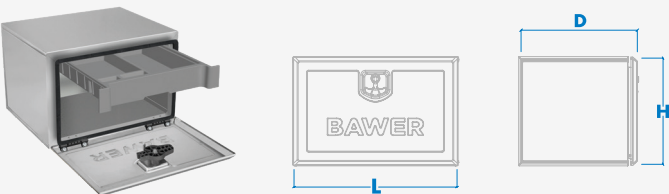


toolbox code	toolbox size mm.			toolbox weight Hg	load capacity Hg
	L	H	D		
cod. E6 150	500	350	400	8,1	70
cod. E6 200	600	400	500	11,5	85

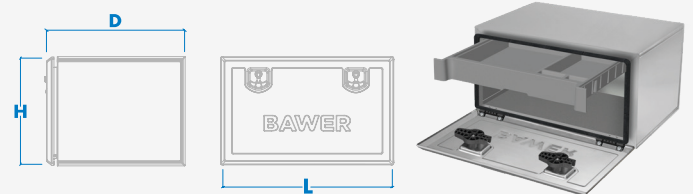


toolbox code	toolbox size mm.			toolbox weight Hg	load capacity Hg
	L	H	D		
cod. E6 250	800	500	500	19	92
cod. E6 300	1000	500	500	23	99

## Plus\_toolboxes

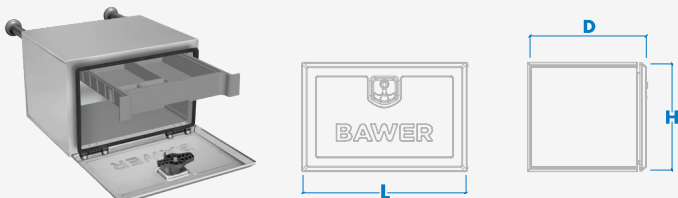


toolbox code	toolbox size mm.			toolbox weight Hg	load capacity Hg
	L	H	D		
cod. E6 151	500	350	400	10,1	70
cod. E6 201	600	400	500	14	85

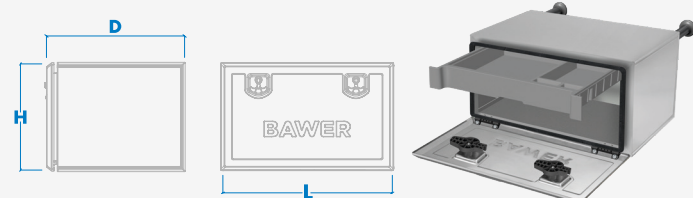


toolbox code	toolbox size mm.			toolbox weight Hg	load capacity Hg
	L	H	D		
cod. E6 251	800	500	500	22	92
cod. E6 301	1000	500	500	26,5	99

## Smart\_toolboxes



toolbox code	toolbox size mm.			toolbox weight Hg	load capacity Hg
	L	H	D		
cod. E6 152	500	350	400	10,1	70
cod. E6 202	600	400	500	14	85

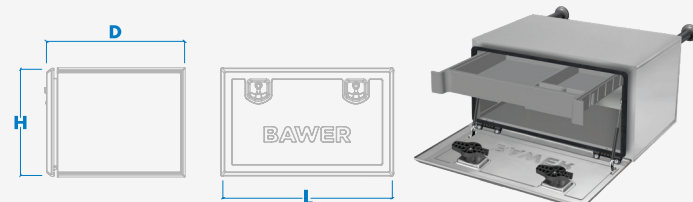


toolbox code	toolbox size mm.			toolbox weight Hg	load capacity Hg
	L	H	D		
cod. E6 252	800	500	500	22	92
cod. E6 302	1000	500	500	26,5	99

## Premium\_toolboxes



toolbox code	toolbox size mm.			toolbox weight Hg	load capacity Hg
	L	H	D		
cod. E6 153	500	350	400	10,6	70
cod. E6 203	600	400	500	15	85



toolbox code	toolbox size mm.			toolbox weight Hg	load capacity Hg
	L	H	D		
cod. E6 253	800	500	500	23	92
cod. E6 303	1000	500	500	27	99

## Basic\_shipment with cardboard



toolbox code	20 BOX			pieces per pallet	Tot. pallet	40 FT HC			pieces per pallet	Tot. pallet	TRUCK			pieces per pallet	Tot. pallet
	L	H	D			L	H	D			L	H	D		
cod. E6 150	1100 x 2000 x 1400			30	8	1100 x 2400 x 1400			36	16	1100 x 2400 x 1400			36	18
cod. E6 200	1100 x 2250 x 1250			20	8	1100 x 2250 x 1250			20	18	1100 x 2680 x 1250			24	22
cod. E6 250	830 x 2250 x 1080			8	14	830 x 2250 x 1080			8	28	830 x 2250 x 1080			8	32
cod. E6 300	1060 x 2250 x 1060			8	10	1060 x 2250 x 1060			8	22	1060 x 2250 x 1060			8	24

## Plus\_shipment with cardboard



toolbox code	20 BOX			pieces per pallet	Tot. pallet	40 FT HC			pieces per pallet	Tot. pallet	TRUCK			pieces per pallet	Tot. pallet
	L	H	D			L	H	D			L	H	D		
cod. E6 151	1100 x 2000 x 1400			30	8	1100 x 2400 x 1400			36	16	1100 x 2400 x 1400			36	18
cod. E6 201	1100 x 2250 x 1250			20	8	1100 x 2250 x 1250			20	18	1100 x 2680 x 1250			24	22
cod. E6 251	830 x 2250 x 1080			8	14	830 x 2250 x 1080			8	28	830 x 2250 x 1080			8	32
cod. E6 301	1060 x 2250 x 1060			8	10	1060 x 2250 x 1060			8	22	1060 x 2250 x 1060			8	24

## Smart\_shipment with cardboard



toolbox code	20 BOX			pieces per pallet	Tot. pallet	40 FT HC			pieces per pallet	Tot. pallet	TRUCK			pieces per pallet	Tot. pallet
	L	H	D			L	H	D			L	H	D		
cod. E6 152	1100 x 2000 x 1400			30	6 + 2*	1100 x 2400 x 1400			36	12 + 4*	1100 x 2400 x 1400			36	14 + 4*
cod. E6 202	1100 x 2250 x 1250			20	6 + 2*	1100 x 2250 x 1250			20	14 + 4*	1100 x 2680 x 1250			24	18 + 4*
cod. E6 252	1100 x 2250 x 840			8	13 + 1*	1100 x 2250 x 840			8	26 + 2*	1100 x 2250 x 840			8	28 + 4*
cod. E6 302	1060 x 2250 x 1060			8	9 + 1*	1060 x 2250 x 1060			8	20 + 2*	1060 x 2250 x 1060			8	22 + 2*

\*Total number of pallets with Fast Mounting kit to satisfy the total number of toolboxes pallets

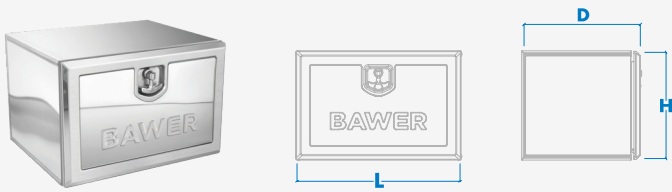
## Premium\_shipment with cardboard



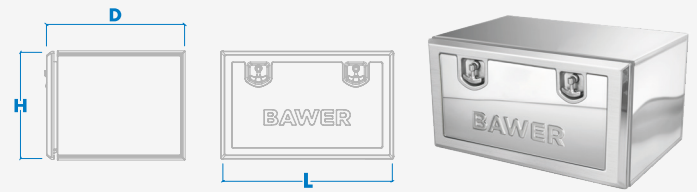
toolbox code	20 BOX			pieces per pallet	Tot. pallet	40 FT HC			pieces per pallet	Tot. pallet	TRUCK			pieces per pallet	Tot. pallet
	L	H	D			L	H	D			L	H	D		
cod. E6 153	1100 x 2000 x 1400			30	6 + 2*	1100 x 2400 x 1400			36	12 + 4*	1100 x 2400 x 1400			36	14 + 4*
cod. E6 203	1100 x 2250 x 1250			20	6 + 2*	1100 x 2250 x 1250			20	14 + 4*	1100 x 2680 x 1250			24	18 + 4*
cod. E6 253	1100 x 2250 x 840			8	13 + 1*	1100 x 2250 x 840			8	26 + 2*	1100 x 2250 x 840			8	28 + 4*
cod. E6 303	1060 x 2250 x 1060			8	9 + 1*	1060 x 2250 x 1060			8	20 + 2*	1060 x 2250 x 1060			8	22 + 2*

\*Total number of pallets with Fast Mounting kit to satisfy the total number of toolboxes pallets

## Basic\_toolboxes

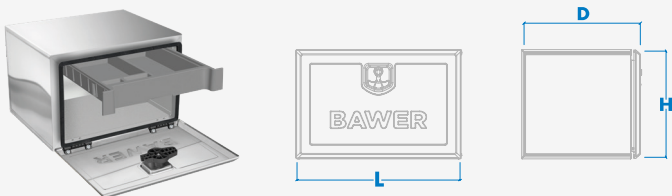


toolbox code	toolbox size mm.			toolbox weight Hg	load capacity Hg
	L	H	D		
cod. E8 150	500	350	400	8,1	70
cod. E8 200	600	400	500	11,5	85

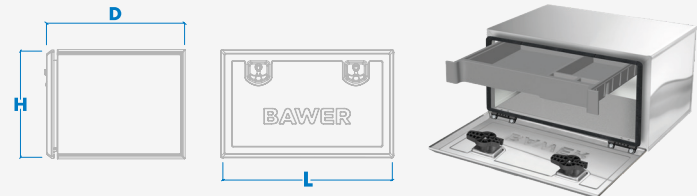


toolbox code	toolbox size mm.			toolbox weight Hg	load capacity Hg
	L	H	D		
cod. E8 250	800	500	500	19	92
cod. E8 300	1000	500	500	23	99

## Plus\_toolboxes

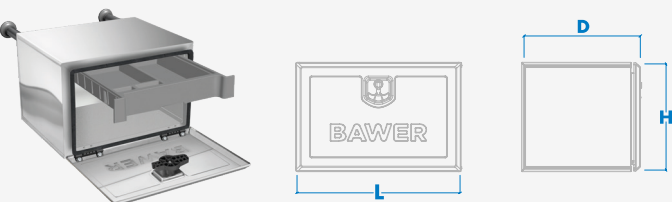


toolbox code	toolbox size mm.			toolbox weight Hg	load capacity Hg
	L	H	D		
cod. E8 151	500	350	400	10,1	70
cod. E8 201	600	400	500	14	85

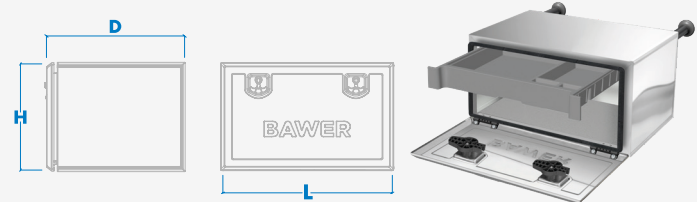


toolbox code	toolbox size mm.			toolbox weight Hg	load capacity Hg
	L	H	D		
cod. E8 251	800	500	500	22	92
cod. E8 301	1000	500	500	26,5	99

## Smart\_toolboxes

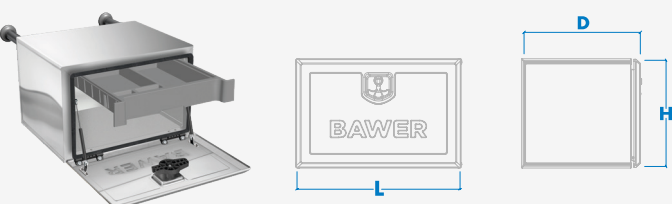


toolbox code	toolbox size mm.			toolbox weight Hg	load capacity Hg
	L	H	D		
cod. E8 152	500	350	400	10,1	70
cod. E8 202	600	400	500	14	85

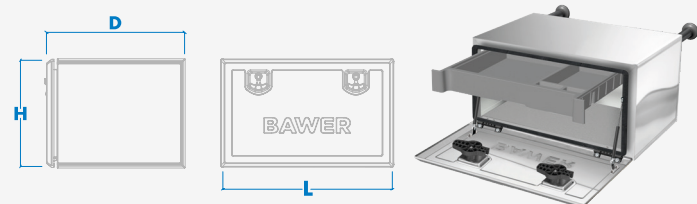


toolbox code	toolbox size mm.			toolbox weight Hg	load capacity Hg
	L	H	D		
cod. E8 252	800	500	500	22	92
cod. E8 302	1000	500	500	26,5	99

## Premium\_toolboxes



toolbox code	toolbox size mm.			toolbox weight Hg	load capacity Hg
	L	H	D		
cod. E8 153	500	350	400	10,6	70
cod. E8 203	600	400	500	15	85



toolbox code	toolbox size mm.			toolbox weight Hg	load capacity Hg
	L	H	D		
cod. E8 253	800	500	500	23	92
cod. E8 303	1000	500	500	27	99

## Basic\_shipment with cardboard



toolbox code	20 BOX			pieces per pallet	Tot. pallet	40 FT HC			pieces per pallet	Tot. pallet	TRUCK			pieces per pallet	Tot. pallet
	pallet size mm.					pallet size mm.					pallet size mm.				
	L	H	D			L	H	D			L	H	D		
cod. E8 150	1100 x 2000 x 1400			30	8	1100 x 2400 x 1400			36	16	1100 x 2400 x 1400			36	18
cod. E8 200	1100 x 2250 x 1250			20	8	1100 x 2250 x 1250			20	18	1100 x 2680 x 1250			24	22
cod. E8 250	830 x 2250 x 1080			8	14	830 x 2250 x 1080			8	28	830 x 2250 x 1080			8	32
cod. E8 300	1060 x 2250 x 1060			8	10	1060 x 2250 x 1060			8	22	1060 x 2250 x 1060			8	24

## Plus\_shipment with cardboard



toolbox code	20 BOX			pieces per pallet	Tot. pallet	40 FT HC			pieces per pallet	Tot. pallet	TRUCK			pieces per pallet	Tot. pallet
	pallet size mm.					pallet size mm.					pallet size mm.				
	L	H	D			L	H	D			L	H	D		
cod. E8 151	1100 x 2000 x 1400			30	8	1100 x 2400 x 1400			36	16	1100 x 2400 x 1400			36	18
cod. E8 201	1100 x 2250 x 1250			20	8	1100 x 2250 x 1250			20	18	1100 x 2680 x 1250			24	22
cod. E8 251	830 x 2250 x 1080			8	14	830 x 2250 x 1080			8	28	830 x 2250 x 1080			8	32
cod. E8 301	1060 x 2250 x 1060			8	10	1060 x 2250 x 1060			8	22	1060 x 2250 x 1060			8	24

## Smart\_shipment with cardboard



toolbox code	20 BOX			pieces per pallet	Tot. pallet	40 FT HC			pieces per pallet	Tot. pallet	TRUCK			pieces per pallet	Tot. pallet
	pallet size mm.					pallet size mm.					pallet size mm.				
	L	H	D			L	H	D			L	H	D		
cod. E8 152	1100 x 2000 x 1400			30	6 + 2*	1100 x 2400 x 1400			36	12 + 4*	1100 x 2400 x 1400			36	14 + 4*
cod. E8 202	1100 x 2250 x 1250			20	6 + 2*	1100 x 2250 x 1250			20	14 + 4*	1100 x 2680 x 1250			24	18 + 4*
cod. E8 252	1100 x 2250 x 840			8	13 + 1*	1100 x 2250 x 840			8	26 + 2*	1100 x 2250 x 840			8	28 + 4*
cod. E8 302	1060 x 2250 x 1060			8	9 + 1*	1060 x 2250 x 1060			8	20 + 2*	1060 x 2250 x 1060			8	22 + 2*

\*Total number of pallets with Fast Mounting kit to satisfy the total number of toolboxes pallets

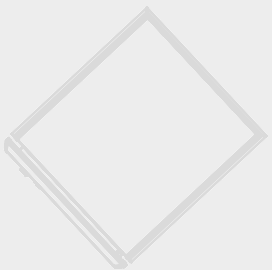
## Premium\_shipment with cardboard



toolbox code	20 BOX			pieces per pallet	Tot. pallet	40 FT HC			pieces per pallet	Tot. pallet	TRUCK			pieces per pallet	Tot. pallet
	pallet size mm.					pallet size mm.					pallet size mm.				
	L	H	D			L	H	D			L	H	D		
cod. E8 153	1100 x 2000 x 1400			30	6 + 2*	1100 x 2400 x 1400			36	12 + 4*	1100 x 2400 x 1400			36	14 + 4*
cod. E8 203	1100 x 2250 x 1250			20	6 + 2*	1100 x 2250 x 1250			20	14 + 4*	1100 x 2680 x 1250			24	18 + 4*
cod. E8 253	1100 x 2250 x 840			8	13 + 1*	1100 x 2250 x 840			8	26 + 2*	1100 x 2250 x 840			8	28 + 4*
cod. E8 303	1060 x 2250 x 1060			8	9 + 1*	1060 x 2250 x 1060			8	20 + 2*	1060 x 2250 x 1060			8	22 + 2*

\*Total number of pallets with Fast Mounting kit to satisfy the total number of toolboxes pallets

# Brackets & Fast Mounting

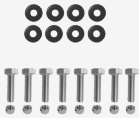
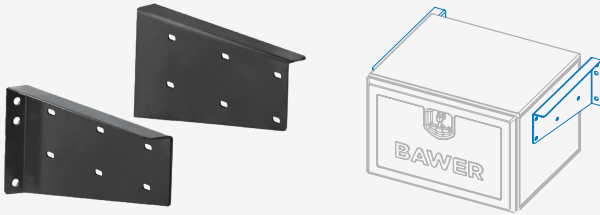


METAL Toolbox

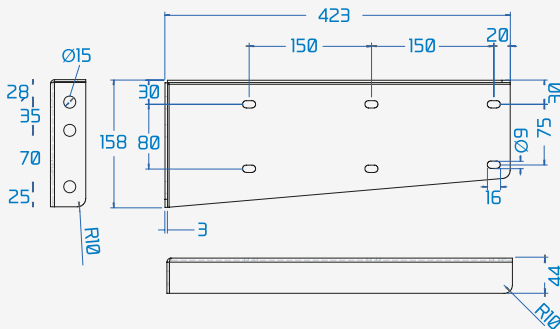


## Short Horizontal Brackets

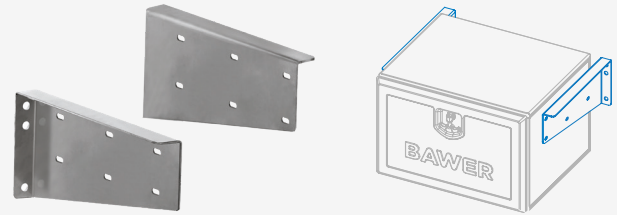
cod. E0 990 02 - Black, Powder Coated Brackets



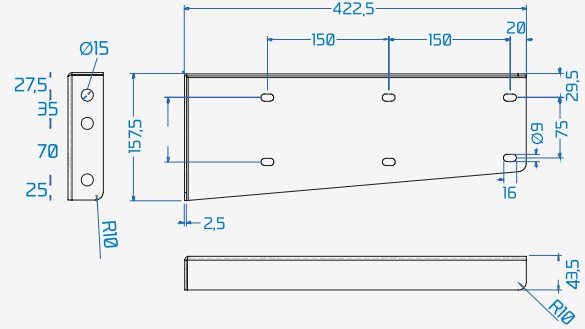
- Hex-head screws M8x25\_8 pcs
- Washer M8\_8 pcs
- Self-blocking nuts M8\_8 pcs



cod. E6 990 02 - Stainless Steel Brackets

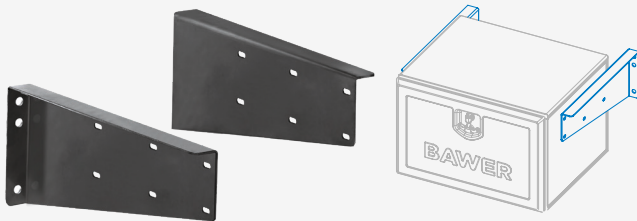


- Hex-head screws M8x25\_8 pcs
- Washer M8\_8 pcs
- Self-blocking nuts M8\_8 pcs

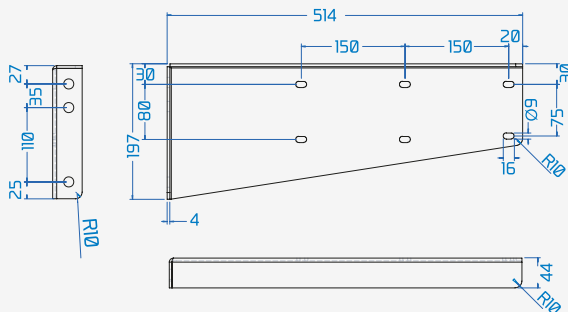


## Long Horizontal Brackets

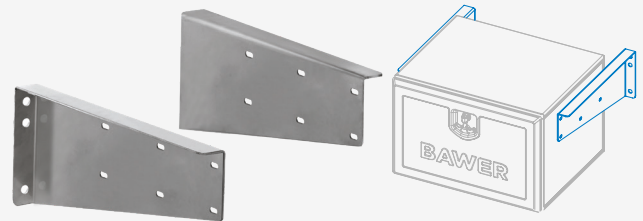
cod. E0 990 04 - Black, Powder Coated Brackets



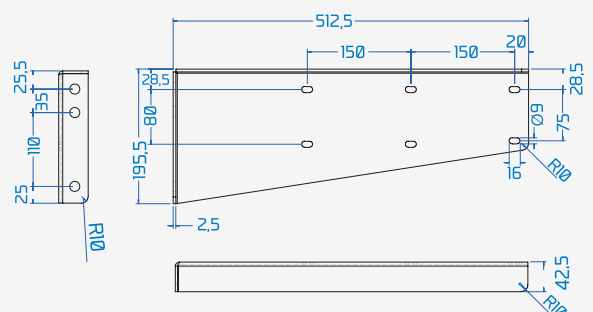
- Hex-head screws M8x25\_8 pcs
- Washer M8\_8 pcs
- Self-blocking nuts M8\_8 pcs



cod. E6 990 04 - Stainless Steel Brackets



- Hex-head screws M8x25\_8 pcs
- Washer M8\_8 pcs
- Self-blocking nuts M8\_8 pcs

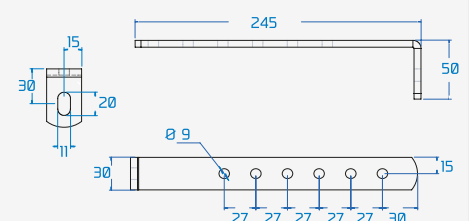
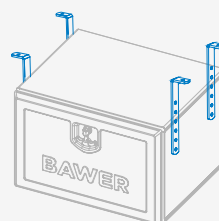


## Vertical Brackets

cod. E0 990 06 - Galvanized Steel Brackets



- Hex-head screws M8x25\_8 pcs
- Washer M8\_8 pcs
- Self-blocking nuts M8\_8 pcs



## Assembly Steps\_Fast Mounting

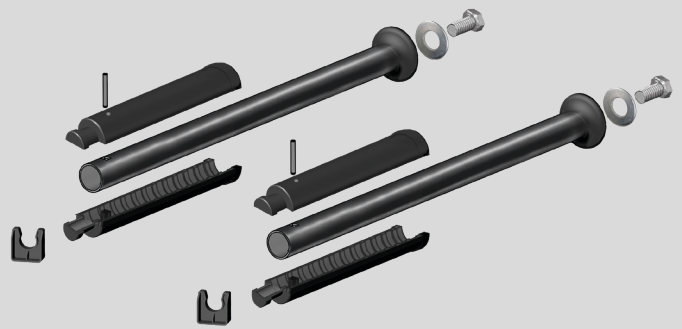
**Step\_1** Make two holes in the truck chassis and screw the fast connection tubes without tightening.

**Step\_2** Insert the toolbox until it stops and tighten the screw.

**Step\_3** Open the toolbox and insert the safety hooks.

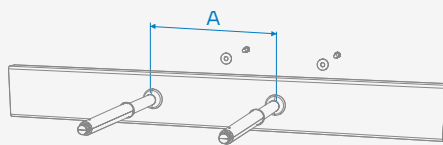
Assembly completed.

## Technical Features\_Fast Mounting

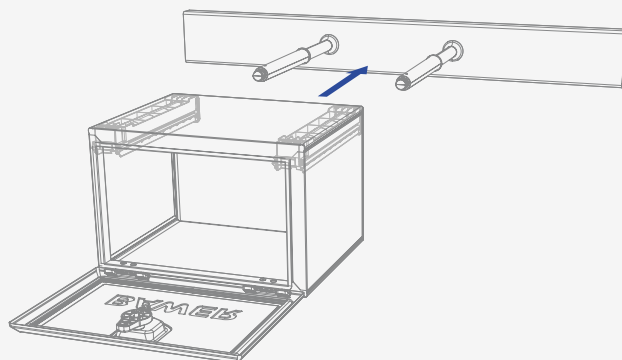


Black Powder Coated Steel Tube

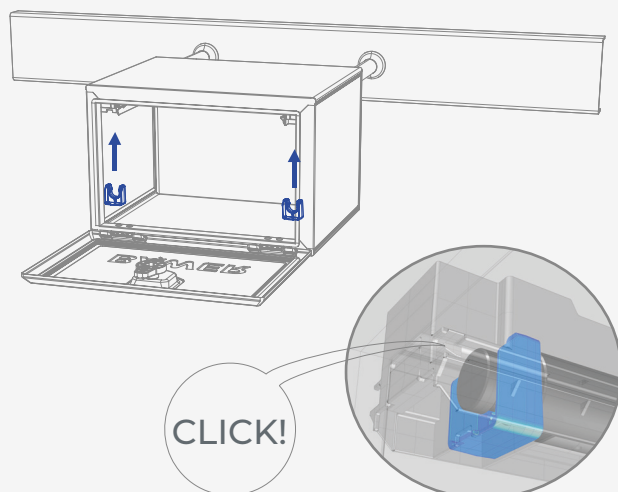
### Step\_1



### Step\_2



### Step\_3

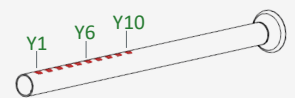


TUBE - A



short, medium and long tube

TUBE - B



customized tube with multi holes

### FEATURES TUBE - B

Check which distance "Y" you need and cut as show below. After cutting it is recommended to use an anticorrosive paint.

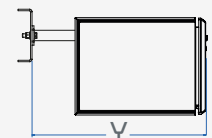
### EXAMPLE OF CUTTING TUBE



### EXAMPLE OF ASSEMBLED TUBE

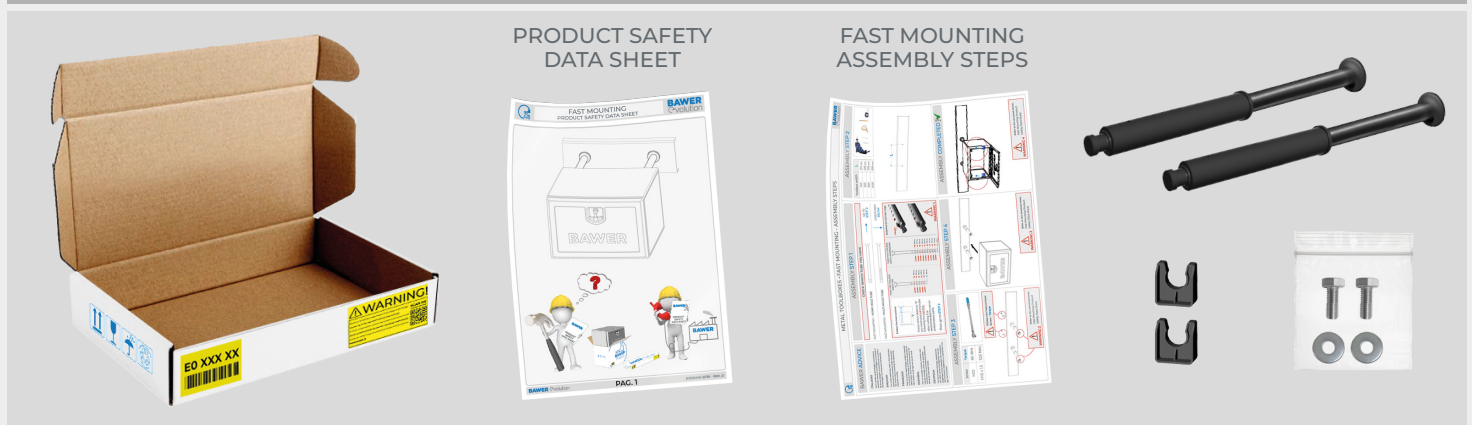


- Hex-head Screw M18  
Fine pitch thread
- Washer M18  
Wide strip

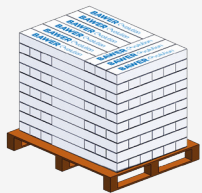


For Toolbox code	Tube diameter	A mm.	Fast Mounting Tube code	Y TUBE - A	Y TUBE - B
cod. E2 152/153 cod. E4 152/153 cod. E6 152/153 cod. E8 152/153 L 500 x H 350 x D 400	Ø 30	414	E2 950 02 - Short Tube	Y1: 434 mm.	Y1: 614 mm.
			E2 950 04 - Medium Tube	Y1: 544 mm.	Y2: 586 mm.
			E2 950 06 - Long tube	Y1: 654 mm.	Y3: 558 mm.
			E2 950 08 - Customized Tube	Y1: 654 mm.	Y4: 530 mm.
				Y: TUBE - B	Y5: 502 mm.
cod. E2 202/203 cod. E4 202/203 cod. E6 202/203 cod. E8 202/203 L 600 x H 400 x D 500	Ø 42	508	E2 960 02 - Short Tube	Y1: 582 mm.	Y1: 798 mm.
			E2 960 04 - Medium Tube	Y1: 702 mm.	Y2: 770 mm.
			E2 960 06 - Long tube	Y1: 822 mm.	Y3: 742 mm.
			E2 960 08 - Customized Tube	Y1: 822 mm.	Y4: 714 mm.
				Y: TUBE - B	Y5: 686 mm.
cod. E2 252/253 cod. E4 252/253 cod. E6 252/253 cod. E8 252/253 L 800 x H 500 x D 500	Ø 42	708	E2 960 02 - Short Tube	Y1: 582 mm.	Y5: 686 mm.
			E2 960 04 - Medium Tube	Y1: 702 mm.	Y6: 658 mm.
			E2 960 06 - Long tube	Y1: 822 mm.	Y7: 630 mm.
			E2 960 08 - Customized Tube	Y1: 822 mm.	Y8: 602 mm.
				Y: TUBE - B	Y9: 574 mm.
cod. E2 302/303 cod. E4 302/303 cod. E6 302/303 cod. E8 302/303 L 1000 x H 500 x D 500	Ø 42	908	E2 960 02 - Short Tube	Y1: 582 mm.	Y9: 574 mm.
			E2 960 04 - Medium Tube	Y1: 702 mm.	Y10: 546 mm.
			E2 960 06 - Long tube	Y1: 822 mm.	
			E2 960 08 - Customized Tube	Y1: 822 mm.	
				Y: TUBE - B	

## Packaging & Shipment\_Fast Mounting

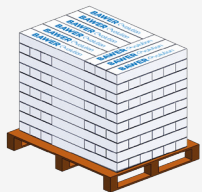


## Shipment\_Fast Mounting for Toolboxes E2 152/153 - E4 152/153 - E6 152/153 - E8 152/153



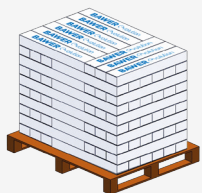
toolboxes	20 BOX			40 FT HC			TRUCK		
	pallet size mm.			pallet size mm.			pallet size mm.		
Mounting Kit tube code	L	H	D	L	H	D	L	H	D
cod. E2 950 02	1100	430	1400	1100	505	1400	1100	505	1400
cod. E2 950 04	1100	505	1400	1100	580	1400	1100	655	1400
cod. E2 950 06	1100	580	1400	1100	655	1400	1100	730	1400
cod. E2 950 08	1100	580	1400	1100	655	1400	1100	730	1400

## Shipment\_Fast Mounting for Toolboxes E2 202/203 - E4 202/203 - E6 202/203 - E8 202/203



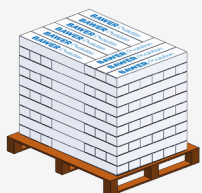
toolboxes	20 BOX			40 FT HC			TRUCK		
	pallet size mm.			pallet size mm.			pallet size mm.		
Mounting Kit tube code	L	H	D	L	H	D	L	H	D
cod. E2 960 02	1100	555	1250	1100	555	1250	1100	810	1250
cod. E2 960 04	1100	640	1250	1100	725	1250	1100	1065	1250
cod. E2 960 06	1100	810	1250	1100	895	1250	1100	1320	1250
cod. E2 960 08	1100	810	1250	1100	895	1250	1100	1320	1250

## Shipment\_Fast Mounting for Toolboxes E2 252/253 - E4 252/253 - E6 252/253 - E8 252/253



toolboxes	20 BOX			40 FT HC			TRUCK		
	pallet size mm.			pallet size mm.			pallet size mm.		
Mounting Kit tube code	L	H	D	L	H	D	L	H	D
cod. E2 960 02	1100	1065	840	1100	1065	840	1100	640	840
cod. E2 960 04	1100	1405	840	1100	1405	840	1100	810	840
cod. E2 960 06	1100	1405	840	1100	1405	840	1100	810	840
cod. E2 960 08	1100	1405	840	1100	1405	840	1100	810	840

## Shipment\_Fast Mounting for Toolboxes E2 302/303 - E4 302/303 - E6 302/303 - E8 302/303



toolboxes	20 BOX			40 FT HC			TRUCK		
	pallet size mm.			pallet size mm.			pallet size mm.		
Mounting Kit tube code	L	H	D	L	H	D	L	H	D
cod. E2 960 02	1060	640	1060	1060	725	1060	1060	1150	1060
cod. E2 960 04	1060	1065	1060	1060	1150	1060	1060	1235	1060
cod. E2 960 06	1060	1065	1060	1060	1150	1060	1060	1235	1060
cod. E2 960 08	1060	1065	1060	1060	1150	1060	1060	1235	1060

## Assembly Steps\_Adj. Fast Mounting

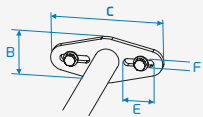
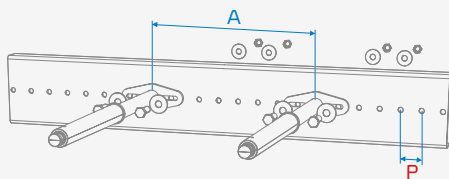
**Step\_1** Make two holes in the truck chassis and screw the fast connection tubes without tightening.

**Step\_2** Insert the toolbox until it stops and tighten the screw.

**Step\_3** Open the toolbox and insert the safety hooks.

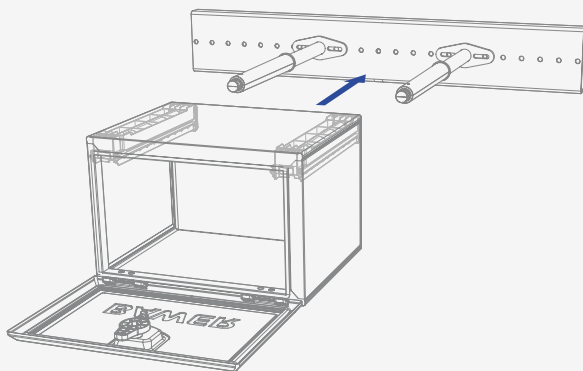
Assembly completed.

### Step\_1

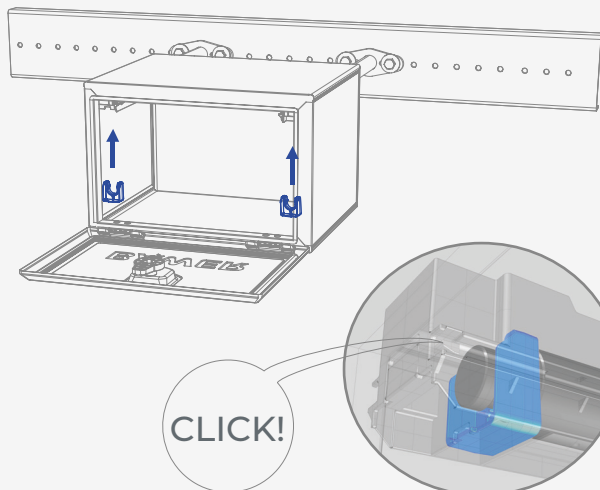


For Toolbox length	A	B	C	E	F
500	414	68	180	45	13
600	508	80	195	52	13
800	708	80	195	52	13
1000	908	80	195	52	13

### Step\_2



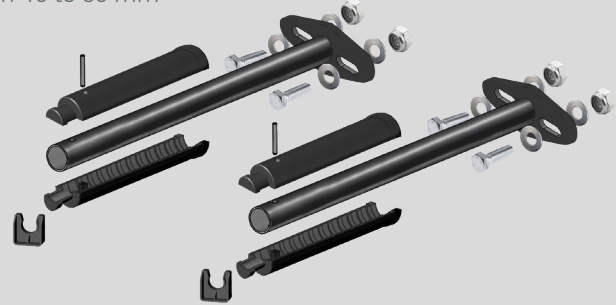
### Step\_3



## Technical Features\_Adj. Fast Mounting

SUITABLE FOR CHASSIS WITH PRE-DRILLED HOLES

P: from 40 to 60 mm



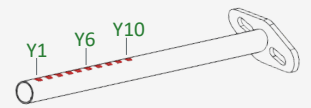
Black Powder Coated Steel Tube

TUBE - A



short, medium and long tube

TUBE - B



customized tube with multi holes

### FEATURES TUBE - B

Check which distance "Y" you need and cut as show below. After cutting it is recommended to use an anticorrosive paint.

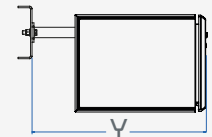
EXAMPLE OF CUTTING TUBE



EXAMPLE OF ASSEMBLED TUBE

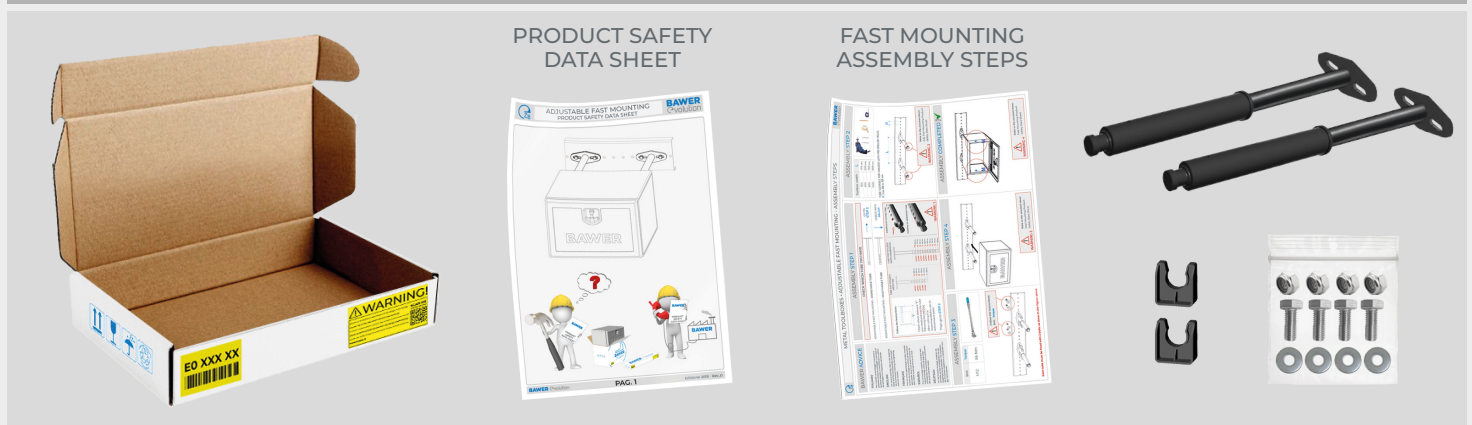


- Screw TE M12X50 ZNB  
4 pcs
- Washer M12 ZNB  
8 pcs
- Self-blocking nut M12  
4 pcs

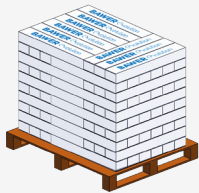


For Toolbox code	Tube diameter	A mm.	Fast Mounting Tube code	Y	Y
				TUBE - A	TUBE - B
cod. E2 152/153 cod. E4 152/153 cod. E6 152/153 cod. E8 152/153 L 500 x H 350 x D 400	Ø 30	414	E2 951 02 - Short Tube	Y1: 434 mm.	Y1: 614 mm.
			E2 951 04 - Medium Tube	Y1: 544 mm.	Y2: 586 mm.
			E2 951 06 - Long tube	Y1: 654 mm.	Y3: 558 mm.
			E2 951 08 - Customized Tube	Y: TUBE - B	Y4: 530 mm.
cod. E2 202/203 cod. E4 202/203 cod. E6 202/203 cod. E8 202/203 L 600 x H 400 x D 500	Ø 42	508	E2 961 02 - Short Tube	Y1: 582 mm.	Y5: 502 mm.
			E2 961 04 - Medium Tube	Y1: 702 mm.	Y6: 474 mm.
			E2 961 06 - Long tube	Y1: 822 mm.	Y1: 798 mm.
			E2 961 08 - Customized Tube	Y: TUBE - B	Y2: 770 mm.
cod. E2 252/253 cod. E4 252/253 cod. E6 252/253 cod. E8 252/253 L 800 x H 500 x D 500	Ø 42	708	E2 961 02 - Short Tube	Y1: 582 mm.	Y3: 742 mm.
			E2 961 04 - Medium Tube	Y1: 702 mm.	Y4: 714 mm.
			E2 961 06 - Long tube	Y1: 822 mm.	Y5: 686 mm.
			E2 961 08 - Customized Tube	Y: TUBE - B	Y6: 658 mm.
cod. E2 302/303 cod. E4 302/303 cod. E6 302/303 cod. E8 302/303 L 1000 x H 500 x D 500	Ø 42	908	E2 961 02 - Short Tube	Y1: 582 mm.	Y7: 630 mm.
			E2 961 04 - Medium Tube	Y1: 702 mm.	Y8: 602 mm.
			E2 961 06 - Long tube	Y1: 822 mm.	Y9: 574 mm.
			E2 961 08 - Customized Tube	Y: TUBE - B	Y10: 546 mm.

## Packaging & Shipment\_Adj. Fast Mounting

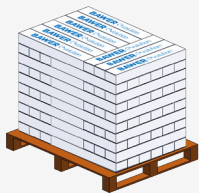


## Shipment\_Adj. Fast Mounting for Toolboxes E2 152/153 - E4 152/153 - E6 152/153 - E8 152/153



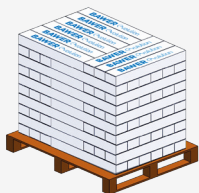
toolboxes	20 BOX			40 FT HC			TRUCK		
	pallet size mm.			pallet size mm.			pallet size mm.		
Mounting Kit tube code	L	H	D	L	H	D	L	H	D
cod. E2 951 02	1100	725	1400	1100	895	1400	1100	980	1400
cod. E2 951 04	1100	895	1400	1100	1065	1400	1100	1235	1400
cod. E2 951 06	1100	980	1400	1100	1150	1400	1100	1320	1400
cod. E2 951 08	1100	980	1400	1100	1150	1400	1100	1320	1400

## Shipment\_Adj. Fast Mounting for Toolboxes E2 202/203 - E4 202/203 - E6 202/203 - E8 202/203



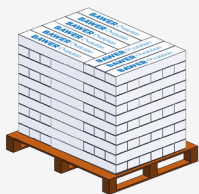
toolboxes	20 BOX			40 FT HC			TRUCK		
	pallet size mm.			pallet size mm.			pallet size mm.		
Mounting Kit tube code	L	H	D	L	H	D	L	H	D
cod. E2 961 02	1100	810	1250	1100	895	1250	1100	1320	1250
cod. E2 961 04	1100	980	1250	1100	1150	1250	1100	1660	1250
cod. E2 961 06	1100	1150	1250	1100	1320	1250	1100	2000	1250
cod. E2 961 08	1100	1150	1250	1100	1320	1250	1100	2000	1250

## Shipment\_Adj. Fast Mounting for Toolboxes E2 252/253 - E4 252/253 - E6 252/253 - E8 252/253



toolboxes	20 BOX			40 FT HC			TRUCK		
	pallet size mm.			pallet size mm.			pallet size mm.		
Mounting Kit tube code	L	H	D	L	H	D	L	H	D
cod. E2 961 02	1100	810	840	1100	810	840	1100	980	840
cod. E2 961 04	1100	1150	840	1100	1150	840	1100	1320	840
cod. E2 961 06	1100	1150	840	1100	1150	840	1100	1320	840
cod. E2 961 08	1100	1150	840	1100	1150	840	1100	1320	840

## Shipment\_Adj. Fast Mounting for Toolboxes E2 302/303 - E4 302/303 - E6 302/303 - E8 302/303



toolboxes	20 BOX			40 FT HC			TRUCK		
	pallet size mm.			pallet size mm.			pallet size mm.		
Mounting Kit tube code	L	H	D	L	H	D	L	H	D
cod. E2 961 02	1060	1150	1060	1060	1820	1060	1060	1405	1060
cod. E2 961 04	1060	1405	1060	1060	1490	1060	1060	1660	1060
cod. E2 961 06	1060	1660	1060	1060	1830	1060	1060	2000	1060
cod. E2 961 08	1060	1660	1060	1060	1830	1060	1060	2000	1060



## Lock System Kit

Suitable for the versions

Easy

Basic

Easy Plus

Premium



Lock System Kit  
2 handles

Code  
cod. E0 990 51

## Rubber Clamp

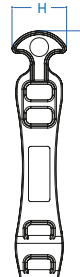
Suitable for the versions

Easy

Basic

Easy Plus

Premium



Rubber Clamp Size  
L 206 x H 46

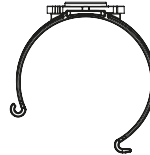
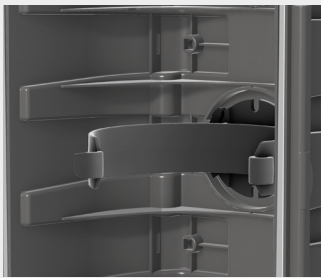
Code  
cod. E0 990 52

## Ring-Holder

Suitable for the versions

Easy

Basic



Ring-Holder  
diameter of 160 mm.

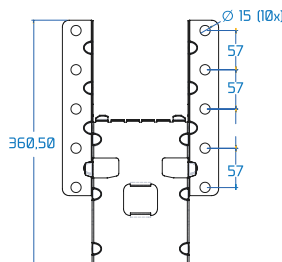
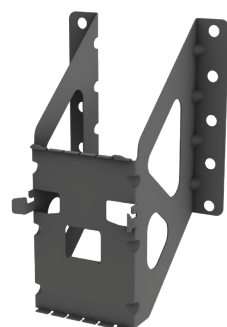
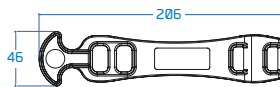
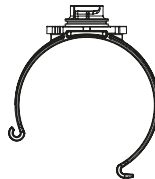
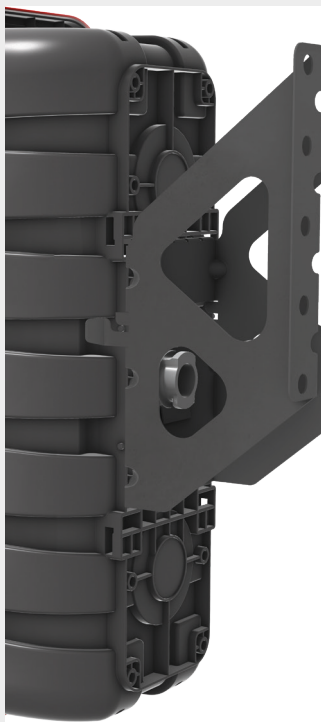
Code  
cod. E0 990 53

## Fast Mounting Kit

Suitable for the versions

Easy Plus

Premium



Fast Mounting Kit  
- Ring-Holder\*  
- Rubber Clamp  
- Brackets

\*diameter of 160 mm.

Code  
cod. E0 990 50

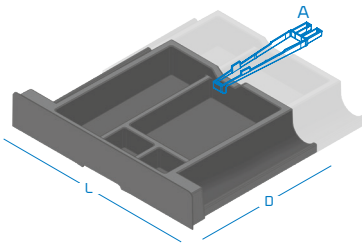
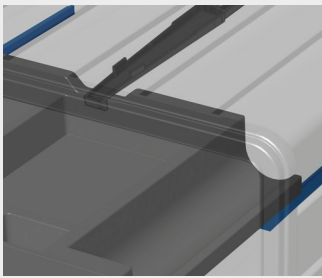


## Pull-out Drawer Kit

Suitable for the versions

Plus

Premium



	Drawer Size	Drawer Code
For toolbox length 500*	L 439 x D 330	cod. E0 998 00
For toolbox length 600	L 535 x D 390	cod. E0 998 02
For toolbox length 800	L 729 x D 388	cod. E0 998 06
For toolbox length 1000	L 922 x D 388	cod. E0 998 08

\*for the toolbox cod. E0 142 - pull-out drawer not available

A - Drawer Stop included in the kit

## Lock System Kit

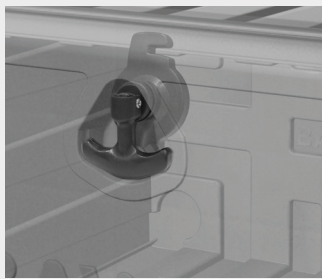
Suitable for the versions

Easy

Basic

Plus

Premium



Evoplex

	Lock Type	Lock Code
For toolboxes E0	Evoplex	cod. E0 996 02

## Cylinder Lock

Suitable for the versions

Easy

Basic

Plus

Premium



Universal Keys

keys number 0010

Cylinder with universal keys	cod. E0 996 00
Cylinder with keys number 0010	cod. E0 996 01

## Stop Lid Chain

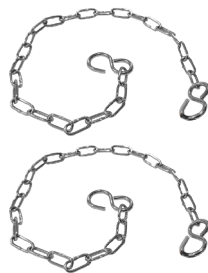
Suitable for the versions

Easy

Basic

Plus

Premium



	Chain Size	Chain Code
For toolbox length 500	Chain Links: 21	cod. E0 996 05
For toolbox length 600	Chain Links: 26	cod. E0 996 07
For toolbox length 800	Chain Links: 38	cod. E0 996 08
For toolbox length 1000	Chain Links: 38	cod. E0 996 08

## Lid Configurations

Suitable for the versions

Easy

Basic

Plus

Premium



Adhesive BAWER Logo



Adhesive Logo Slot

■ Adhesive Customer Logo **LOGO**

\*min. 250 pcs



BAWER Logo



Serigraphy Logo

■ in the colour required

\*min. 40 pcs



Customer Logo

■ Monochrome ■ Two-Tones

\*min. 2500 pcs

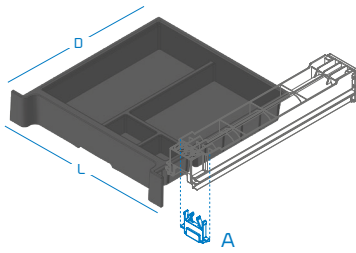
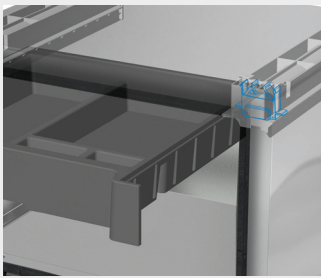
## Pull-out Drawer Kit

Suitable for the versions

Plus

Smart

Premium



	Drawer Size	Drawer Code
For toolboxes length 500	L 410 x D 370	cod. E2 998 00
For toolboxes length 600	L 510 x D 468	cod. E2 998 02
For toolboxes length 800	L 707 x D 471	cod. E2 998 06
For toolboxes length 1000	L 906 x D 472	cod. E2 998 08

A - Drawer Stop included in the kit

## Lock system Kit

Suitable for the versions

Basic

Plus

Smart

Premium



Evoplex

Evoinox

	Lock Type	Lock Code
For toolboxes E2	Evoplex	cod. E2 996 01
For toolboxes E4 E6 E8	Evoinox	cod. E2 996 02

## Cylinder Lock

Suitable for the versions

Basic

Plus

Smart

Premium



Universal Keys

keys number 0010

Cylinder with universal keys	cod. V99 92
Cylinder with keys number 0010	cod. TA 99 92 00

## Internal Mat

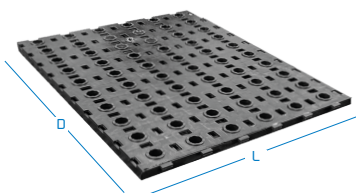
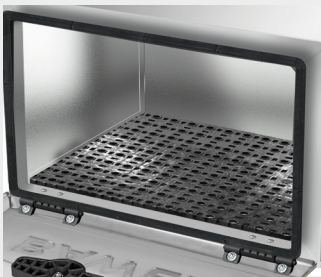
Suitable for the versions

Basic

Plus

Smart

Premium



Plastic Mat

	Mat size	Mat Code
For toolboxes length 500	L 500 x D 400	cod. V98 15
For toolboxes length 600	L 600 x D 500	cod. V98 20
For toolboxes length 800	L 800 x D 500	cod. V98 25
For toolboxes length	L 1000 x D 500	cod. V98 30

## Aerator

Suitable for the versions

Basic

Plus

Smart

Premium



Air Ventilation Control

	Aerator Size	Aerator Code
Air Ventilation Control	Ø 100 mm.	cod. V99 97



**Gas Spring Kit**

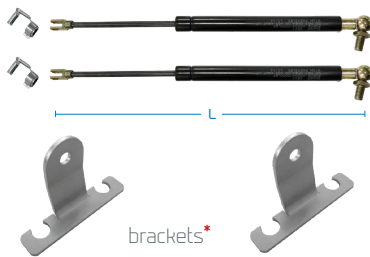
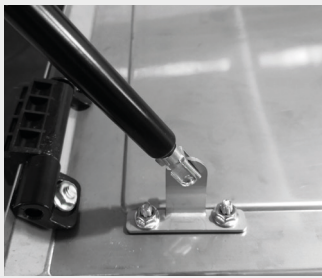
Suitable for the versions

Basic

Plus

Smart

Premium



	Gas Spring Size	Gas Spring Code
For toolbox length 500	L: 200 mm.	cod. E2 996 04
For toolbox length 600	L: 225 mm.	cod. E2 996 05
For toolbox length 800 1000	L: 318 mm.	cod. E2 996 06

\*steel brackets included in the kit

**Fast Mounting**

Suitable for the versions

Smart

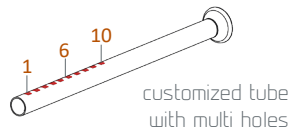
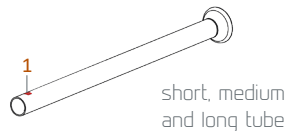
Premium



**Stainless Steel Tube**



safety hook



For toolbox length 500	Short Tube	cod. E6 950 02
	Medium Tube	cod. E6 950 04
	Long Tube	cod. E6 950 06
	Customized Tube	cod. E6 950 08
For toolbox length 600 800 1000	Short Tube	cod. E6 960 02
	Medium Tube	cod. E6 960 04
	Long Tube	cod. E6 960 06
	Customized Tube	cod. E6 960 08

For Toolbox length 500					For Toolbox length 600/800/1000				
Y Tube	Short Tube	Medium Tube	Long Tube	Customized Tube	Y Tube	Short Tube	Medium Tube	Long Tube	Customized Tube
Y1	424 mm.	534 mm.	644 mm.	604 mm.	Y1	582 mm.	702 mm.	822 mm.	798 mm.
Y2	-	-	-	576 mm.	Y2	-	-	-	770 mm.
Y3	-	-	-	548 mm.	Y3	-	-	-	742 mm.
Y4	-	-	-	520 mm.	Y5	-	-	-	714 mm.
Y5	-	-	-	492 mm.	Y5	-	-	-	686 mm.
Y6	-	-	-	464 mm.	Y6	-	-	-	658 mm.
					Y7	-	-	-	630 mm.
					Y8	-	-	-	602 mm.
					Y9	-	-	-	574 mm.
					Y10	-	-	-	546 mm.

**Adj. Fast Mounting**

Suitable for the versions

Smart

Premium

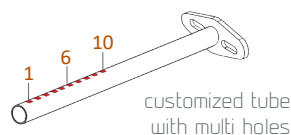


**Stainless Steel Tube**

Suitable for chassis with pre-drilled holes  
P: from 40 to 60 mm



safety hook



For toolbox length 500	Short Tube	cod. E6 951 02
	Medium Tube	cod. E6 951 04
	Long Tube	cod. E6 951 06
	Customized Tube	cod. E6 951 08

For toolbox length 600 800 1000	Short Tube	cod. E6 961 02
	Medium Tube	cod. E6 961 04
	Long Tube	cod. E6 961 06
	Customized Tube	cod. E6 961 08

For Toolbox length 500					For Toolbox length 600/800/1000				
Y Tube	Short Tube	Medium Tube	Long Tube	Customized Tube	Y Tube	Short Tube	Medium Tube	Long Tube	Customized Tube
Y1	424 mm.	534 mm.	644 mm.	604 mm.	Y1	582 mm.	702 mm.	822 mm.	798 mm.
Y2	-	-	-	576 mm.	Y2	-	-	-	770 mm.
Y3	-	-	-	548 mm.	Y3	-	-	-	742 mm.
Y4	-	-	-	520 mm.	Y5	-	-	-	714 mm.
Y5	-	-	-	492 mm.	Y5	-	-	-	686 mm.
Y6	-	-	-	464 mm.	Y6	-	-	-	658 mm.
					Y7	-	-	-	630 mm.
					Y8	-	-	-	602 mm.
					Y9	-	-	-	574 mm.
					Y10	-	-	-	546 mm.



## Copyright

All rights are reserved.  
Reproduction in whole or in part of this artwork is forbidden, in any form and by any means, without authorization of the copyright holder.

The company reserves the right to make any change or modification it deems appropriate, even without any advance notice, in order to improve the quality and the performance of its products.

The company declines all responsibilities for possible printing errors, omissions, incorrect indications and descriptions or other errors incurred during the creation of the catalogue.

## BAWER S.p.A.

Z.I. Jesce - 75100 Matera - Italy  
tel. +39 0835 24 59 11  
fax +39 0835 24 59 35  
email | [info@bawer.it](mailto:info@bawer.it)  
website | [www.bawer.it](http://www.bawer.it)

follow us:





THE TOOLBOX REvolution

